

## Pn-Screwdriver - Ind. - 0 607 452 603 - 550 WATT-S...

[www.powertools-aftersaleservice.com](http://www.powertools-aftersaleservice.com)



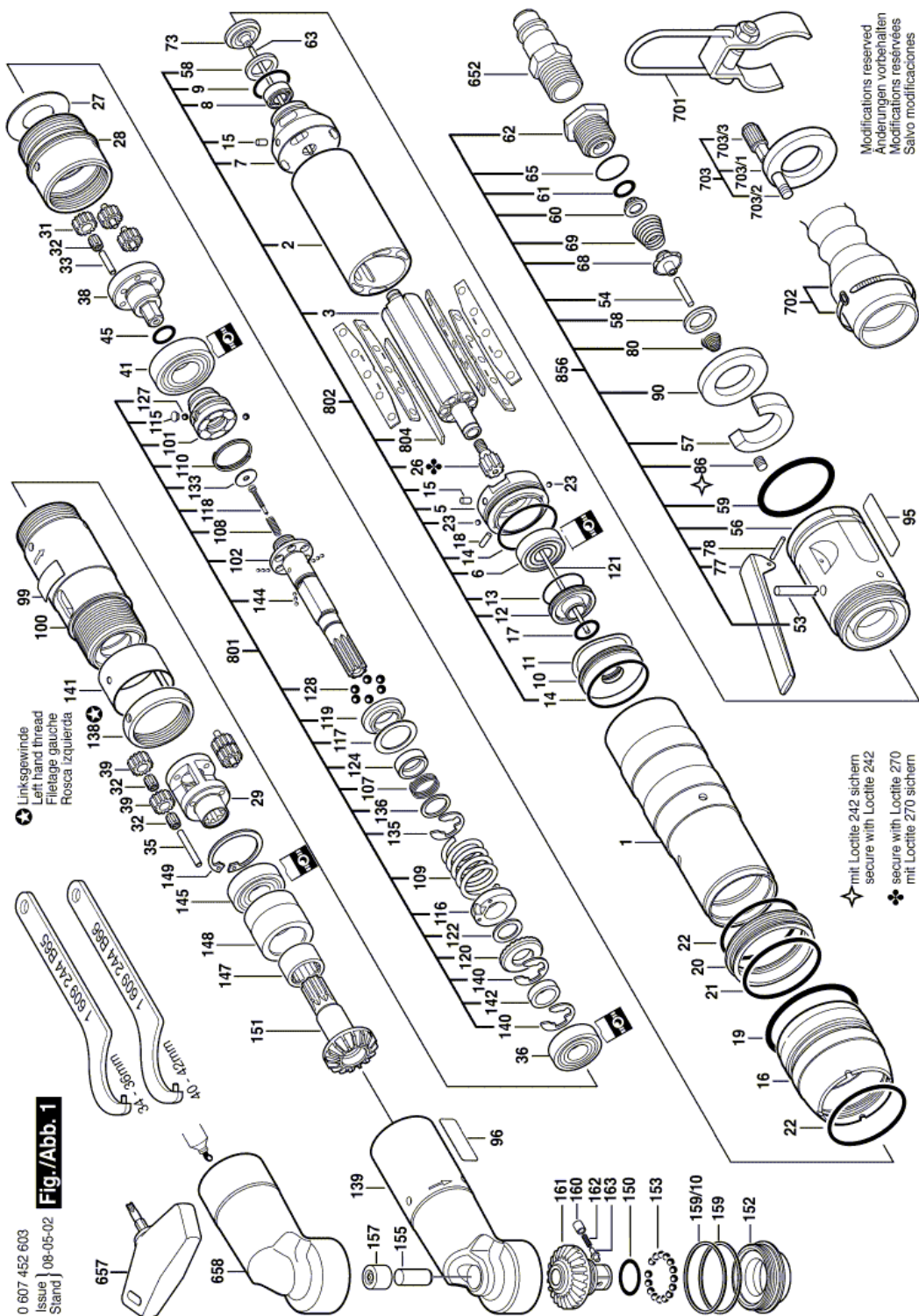
**BOSCH**

Item	Part Number	Description	Illustration	Price	Quantity	Price Group
1	3 600 760 113	Motor Housing		£200,00	1	55
2	3 604 090 064	Stator		£142,00	1	52
3	3 604 220 159	Rotor		£184,00	1	54
5	3 605 700 175	Bearing Flange		£53,40	1	44
6	3 600 905 039	Deep-Groove Ball Bearing		£5,35	1	23
7	3 605 700 176	Bearing Flange		£67,00	1	46
8	1 900 905 030	Deep-Groove Ball Bearing		£18,20	1	33
9	3 600 210 003	O-Ring		£0,70	1	11
10	3 605 700 180	Bearing Flange		£24,50	1	36
11	3 609 202 A05	Shim		£5,35	1	23
12	3 605 700 179	Bearing Flange		£27,30	1	37
13	1 610 210 075	O-Ring		£0,70	1	11
14	1 610 210 100	O-Ring		£1,20	2	13
15	3 609 201 579	Straight Pin		£1,00	2	12
16	3 600 409 010	Sleeve		£101,40	1	49
17	3 600 210 003	O-Ring		£0,70	1	11
18	2 917 850 055	Dowel pin		£0,70	1	11
19	1 610 210 128	O-Ring		£0,70	1	11
20	3 600 409 011	Sealing Sleeve		£67,00	1	46
21	3 600 210 006	O-Ring		£0,70	1	11
22	3 600 210 022	O-Ring		£1,30	2	14
23	1 903 230 026	Ball		£0,70	2	11
26	3 606 300 000	Pinion		£18,20	1	33
27	3 600 101 001	Stop Disc		£0,70	1	11
28	3 606 334 095	Ring Gear		£127,00	1	51
29	3 606 337 219	Planetary-Gear Carrier		£164,00	1	53
31	3 606 316 000	Cylindrical Gear		£8,20	3	27
32	3 600 913 000	Needle-Roller Assembly		£2,00	9	16
33	3 603 201 000	Needle Roller		£0,70	3	11
35	2 917 530 083	Straight Pin		£0,45	3	10

Item	Part Number	Description	Illustration	Price	Quantity	Price Group
	36 3 600 905 023	Deep-Groove Ball Bearing		1	£10,70	1 29
	38 3 606 337 220	Planetary-Gear Carrier		1	£78,50	1 47
	39 3 606 316 001	Cylindrical Gear		1	£5,35	6 23
	41 3 600 905 027	Deep-Groove Ball Bearing		1	£8,20	1 27
	45 2 600 210 001	O-Ring		1	£0,70	1 11
	53 3 603 201 085	Bolt		1	£15,70	1 32
	54 2 917 530 081	Straight Pin		1	£1,00	1 12
	56 3 605 190 195	Valve Housing		1	£267,00	1 57
	57 3 601 010 046	Non-woven fabric		1	£3,45	1 20
	58 3 600 209 004	Valve Bushing		1	£1,00	2 12
	59 1 610 210 087	O-Ring		1	£0,70	1 11
	60 3 600 002 000	Strainer		1	£1,20	1 13
	61 1 900 210 306	O-Ring		1	£0,45	1 10
	62 3 603 458 008	Fitting		1	£4,05	1 21
	63 3 603 100 030	Connecting Rod		1	£4,75	1 22
	65 3 600 210 036	O-Ring		1	£1,00	1 12
	68 3 603 231 017	Valve Cone		1	£8,20	1 27
	69 3 604 616 008	Compression Spring		1	£0,70	1 11
	73 3 608 750 040	Valve Cone		1	£1,75	1 15
	77 3 601 902 001	Control Lever		1	£2,45	1 17
	78 2 917 710 039	Grooved Pin		1	£0,70	1 11
	80 3 604 643 010	Compression Spring		1	£1,00	1 12
	86 2 912 041 147	Set screw		1	£0,45	1 10
	90 3 600 105 013	Silencer		1	-,-	1 -
	95 3 601 100 001	Nameplate		1	£0,70	1 11
	96 3 601 110 331	Manufacturer's Nameplate		1	£1,75	2 15
	99 3 601 119 236	Reference Plate		1	£1,75	1 15
	100 3 605 125 062	Housing		1	£116,00	1 50
	101 3 606 445 043	Clutch Element		1	£67,00	1 46
	102 3 603 124 030	Output Shaft		1	£184,00	1 54
	107 3 604 615 004	Compression Spring		1	£0,70	1 11
	108 3 604 610 057	Compression Spring		1	£0,70	1 11
	109 3 604 619 020	Compression Spring		1	£2,65	1 18
	110 3 600 224 053	Retaining ring		1	£0,70	1 11
	115 3 601 023 011	Sealing plate		1	£1,20	1 13
	116 3 600 134 016	Setting Ring		1	£37,10	1 40
	117 1 600 101 023	Plain Washer		1	£0,70	1 11
	118 3 603 003 005	Rod		1	£6,00	1 24
	119 3 600 190 023	Support Disc		1	£4,75	1 22
	120 3 603 344 046	Catch Disk		1	£20,20	1 34
	121 3 603 201 077	Straight Pin		1	£4,75	1 22
	122 3 600 101 052	Shim Ring		1	£4,05	1 21
	124 3 600 250 004	Ring		1	£4,05	1 21
	127 1 903 230 006	Ball		1	£0,45	10 10
	128 1 903 230 008	Ball		1	£0,45	6 10
	133 3 600 190 024	Washer		1	£0,70	1 11
	135 3 600 224 059	Retaining ring		1	£1,75	1 15
	136 2 600 101 513	Plain Washer		1	£0,70	1 11
	138 3 603 344 097	Threaded Ring		1	£1,20	1 13
	139 3 605 106 093	Spindle Housing		1	£327,00	1 59

Item	Part Number	Description	Illustration	Price	Quantity	Price Group
	140 2 916 080 012	Locking Washer		1	£0,70	2 11
	141 3 600 400 032	Protection Sleeve		1	£1,75	1 15
	142 3 600 200 055	Spacer Ring		1	£6,55	1 25
	144 1 903 230 002	Ball		1	£0,45	9 10
	145 3 600 905 015	Deep-Groove Ball Bearing		1	£6,55	1 25
	147 3 600 917 020	Needle bush		1	£7,40	1 26
	148 3 608 874 921	Spacer		1	£9,50	1 28
	149 2 916 660 011	Spring retaining ring		1	£0,70	1 11
	150 1 610 210 116	O-Ring		1	£0,70	1 11
	152 3 605 700 173	Bearing Flange		1	£33,80	1 39
	153 1 903 230 008	Ball		1	£0,45	15 10
	155 3 603 100 000	Straight Pin		1	£2,45	1 17
	157 3 608 874 669	Needle bush		1	£6,55	1 25
	159 3 608 874 923	Shim		1	£6,55	3 25
159/10	3 608 874 924	Shim		1	£7,40	2 26
	160 1 600 506 010	Guide Sleeve		1	£4,75	1 22
	162 1 604 611 004	Compression Spring		1	£0,70	1 11
	163 1 603 124 060	Pressure Spindle		1	£2,00	1 16
	652 3 603 386 063	Hose fitting		1	£15,70	1 32
	657 3 607 950 020	Screwdriver		1	£9,50	1 28
	658 3 609 202 A29	Protective Cap		1	£6,55	1 25
	701 3 601 310 000	Suspension Loop		1	£15,70	1 32
	702 3 607 000 027	Air Hose		1	£15,70	1 32
	703 3 609 202 A08	Pressure Monitor		1	£67,00	1 46
703/1	3 609 202 A07	Silencer		1	-,-	1 -
703/2	3 609 202 A06	Distance Pipe		1	-,-	1 -
703/3	2 121 004 050	Threaded joint		1	£4,05	1 21
	801 3 609 202 982	Assembly Of Service Parts		1	£232,00	1 56
	802 3 609 202 A19	Assembly Of Service Parts		1	£460,00	1 63
	804 3 609 202 988	Assembly Of Service Parts		1	£8,20	1 27
	805 3 609 202 B05	Bevel Gear		N/A	-,-	1 -
	856 3 609 202 989	Assembly Of Service Parts		1	£300,00	1 58

Illustration - Type E



Information subject to change without further notice.