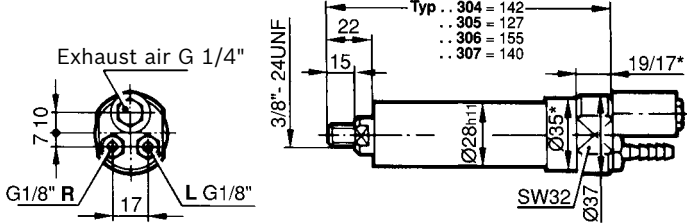
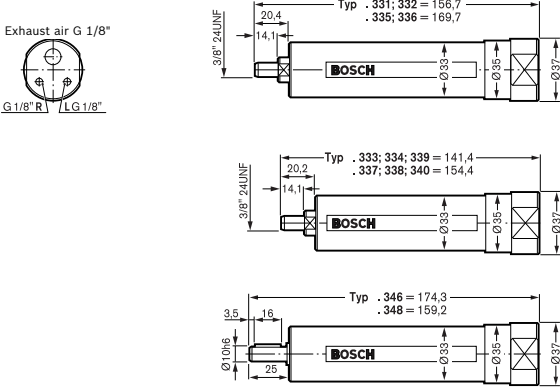
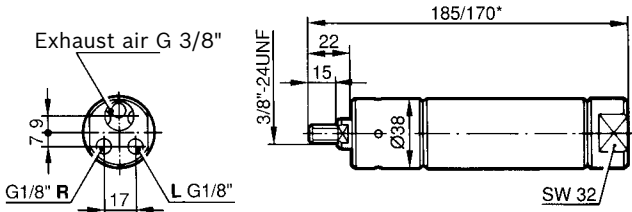
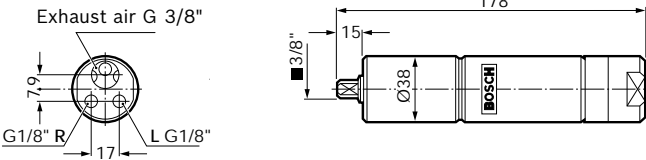


Dimensional drawings Motors

Dimensions in mm	Part number
<p>*Asterisk indicates alternate dimensions for corresponding tool part numbers</p> 	<p>0 607 954 306</p> <p>0 607 954 307</p> <p>0 607 954 304*</p> <p>0 607 954 305*</p> <p>Noise = 74 Db</p>
	<p>0 607 953 335</p> <p>0 607 953 336</p> <p>0 607 953 337</p> <p>0 607 953 338</p> <p>0 607 953 340</p> <p>0 607 953 346</p> <p>0 607 953 348</p> <p>0 607 953 331</p> <p>0 607 953 332</p> <p>0 607 953 333</p> <p>0 607 953 334</p> <p>0 607 953 339</p> <p>Noise = 76 Db</p>
	<p>0 607 951 304*</p> <p>0 607 951 305*</p> <p>0 607 951 306</p> <p>0 607 951 307</p> <p>0 607 951 300*</p> <p>0 607 951 301*</p> <p>0 607 951 302</p> <p>0 607 951 303</p> <p>0 607 951 322*</p> <p>Noise = 77 Db</p>
	<p>0 607 951 314</p> <p>0 607 951 315</p> <p>0 607 951 316</p> <p>0 607 951 311</p> <p>0 607 951 312</p> <p>0 607 951 313</p> <p>Noise = 77 Db</p>

Purely right-hand rotating motors do not feature the "L" (left rotation) air inlet

Dimensional drawings Motors

Dimensions in mm	Part number
<p>*Asterisk indicates alternate dimensions for corresponding tool part numbers</p> <p style="text-align: center;">201/189*</p>	<p>0 607 951 325*</p> <p>0 607 951 326</p> <p>0 607 951 318*</p>
	<p>Noise = 77 Db</p>
	<p>0 607 951 323</p>
	<p>Noise = 77 Db</p>
	<p>0 607 952 303</p> <p>0 607 952 304</p> <p>0 607 952 305*</p> <p>0 607 952 300</p> <p>0 607 952 301</p> <p>0 607 952 302*</p>
	<p>Noise = 81 Db</p>
	<p>0 607 957 301</p> <p>0 607 957 300</p>
	<p>Noise = 81 Db</p>
	<p>0 607 957 308</p> <p>0 607 957 309*</p> <p>0 607 957 310*</p> <p>0 607 957 315*</p> <p>0 607 957 314</p> <p>0 607 957 305</p> <p>0 607 957 306*</p> <p>0 607 957 307*</p> <p>0 607 957 317</p> <p>Noise = 82 Db</p>

Purely right-hand rotating motors do not feature the "L" (left rotation) air inlet