

Cordless Screw Driver - 0 602 492 607 - ANGLE EXAC...

www.powertools-aftersaleservice.com

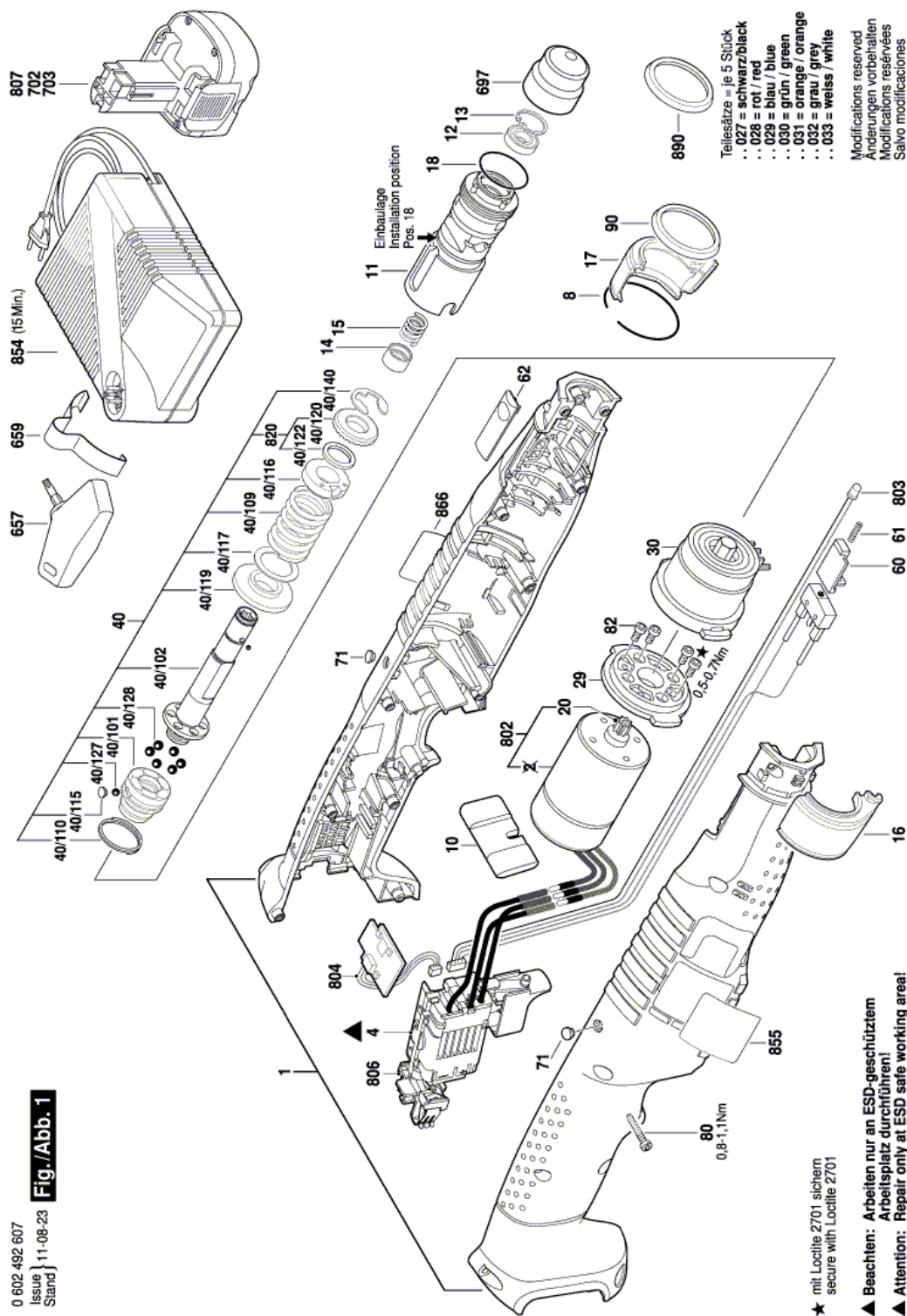


BOSCH

Item	Part Number	Description	Illustration	Price	Quantity	Price Group
	1 3 609 202 A45	Housing Section		1	£37,10	1 40
	4 3 607 200 120	Electronic Assembly		1	£300,00	1 58
	8 1 614 601 016	Retaining ring		1	£0,70	1 11
	10 3 601 099 003	Switch Slide		1	£0,70	1 11
	11 3 605 700 165	Angle Flange		1	£37,10	1 40
	12 1 280 905 004	Deep-Groove Ball Bearing		1	£18,20	1 33
	13 2 916 660 003	Spring retaining ring		1	£0,45	1 10
	14 3 600 423 004	Sleeve		1	£2,45	1 17
	15 3 604 611 037	Compression Spring		1	£1,75	1 15
	16 3 605 105 019	Led-Holder		1	£4,05	1 21
	17 3 605 105 020	Led-Holder		1	£4,05	1 21
	18 3 600 210 012	O-Ring		1	£0,70	1 11
	20 2 606 316 164	Pinion		1	£2,00	1 16
	29 2 605 719 011	Intermediate Flange		1	£1,20	1 13
	30 3 607 030 443	Planetary Gear Train		1	£15,70	1 32
	40 3 607 031 567	Assembly kit		1	£142,00	1 52
	40/101 3 606 445 043	Clutch Element		1	£67,00	1 46
	40/102 3 603 124 034	Drive Shaft		1	£33,80	1 39
	40/109 3 604 619 020	Compression Spring		1	£2,65	1 18
	40/110 3 600 224 053	Retaining ring		1	£0,70	1 11
	40/115 3 601 023 011	Sealing plate		1	£1,20	1 13
	40/116 3 600 134 016	Setting Ring		1	£37,10	1 40
	40/117 1 600 101 023	Plain Washer		1	£0,70	1 11
	40/119 3 600 190 027	Support Disc		1	£4,05	1 21
	40/120 3 603 344 046	Catch Disk		1	£20,20	1 34
	40/122 3 600 101 052	Shim Ring		1	£4,05	1 21
	40/127 1 903 230 006	Ball		1	£0,45	10 10
	40/128 1 903 230 008	Ball		1	£0,45	6 10
	40/140 2 916 080 012	Locking Washer		1	£0,70	1 11
	60 3 601 923 022	Switching Element		1	£1,75	1 15

Item	Part Number	Description	Illustration	Price	Quantity	Price Group
	61 3 604 611 022	Compression Spring		1	£1,30	1 14
	62 3 601 923 029	Slide		1	£1,75	1 15
	71 3 604 460 132	Light Conductor		1	£1,00	2 12
	80 2 603 490 018	Lens Head Screw		1	£0,45	11 10
	82 2 603 414 048	Socket head cap screw		1	£0,70	4 11
	90 3 600 106 026	Ring		1	£2,45	1 17
	657 3 607 950 020	Screwdriver		1	£9,50	1 28
	659 3 601 923 024	Suspension Loop		1	£4,05	1 21
	697 3 608 872 557	Protective Cap		1	£0,70	1 11
	702 2 607 335 659	Accumulator Battery		1	£61,20	1 45
	703 2 607 335 877	Slide-In Accu Package		1	£101,40	1 49
	802 3 607 031 654	DC motor		1	£142,00	1 52
	803 3 609 202 B02	Wiring Harness		1	£78,50	1 47
	804 3 609 202 B03	Wiring Harness		1	£9,50	1 28
	806 1 609 280 416	Contact retainer		1	£4,05	1 21
	807 2 607 335 659	Accumulator Battery		1	£61,20	1 45
	820 3 607 031 570	Catch Disk		1	£15,70	1 32
	854 2 607 224 483	Fast Charger		1	£142,00	1 52
	854 2 607 225 029	Fast Charger		1	£53,40	1 44
	854 2 607 224 487	Fast Charger		1	£142,00	1 52
	854 2 607 224 489	Fast Charger		1	£142,00	1 52
	854 2 607 224 491	Fast Charger		1	£142,00	1 52
	854 2 607 224 493	Fast Charger		1	£142,00	1 52
	854 2 607 224 495	Fast Charger		1	£142,00	1 52
	855 3 601 119 473	Nameplate		1	£4,05	1 21
	866 3 601 110 523	Manufacturer's Nameplate		1	£4,05	1 21
	890 3 600 106 027	Parts Set		1	£6,00	1 24
	890 3 600 106 028	Parts Set		1	£6,00	1 24
	890 3 600 106 029	Parts Set		1	£6,00	1 24
	890 3 600 106 030	Parts Set		1	£6,00	1 24
	890 3 600 106 031	Parts Set		1	£6,00	1 24
	890 3 600 106 032	Parts Set		1	£6,00	1 24
	890 3 600 106 033	Parts Set		1	£6,00	1 24

Illustration - Type E



0 602 492 607
 Issue
 Stand } 11-08-23
Fig./Abb. 1

- ★ mit Loctite 2701 sichern
secure with Loctite 2701
- ▲ Beachten: Arbeiten nur an ESD-geschütztem
Arbeitsplatz durchführen!
- ▲ Attention: Repair only at ESD safe working area!

Information subject to change without further notice.