

## Cordless Screw Driver - 0 602 492 432 - EXACT 1106

[www.powertools-aftersaleservice.com](http://www.powertools-aftersaleservice.com)

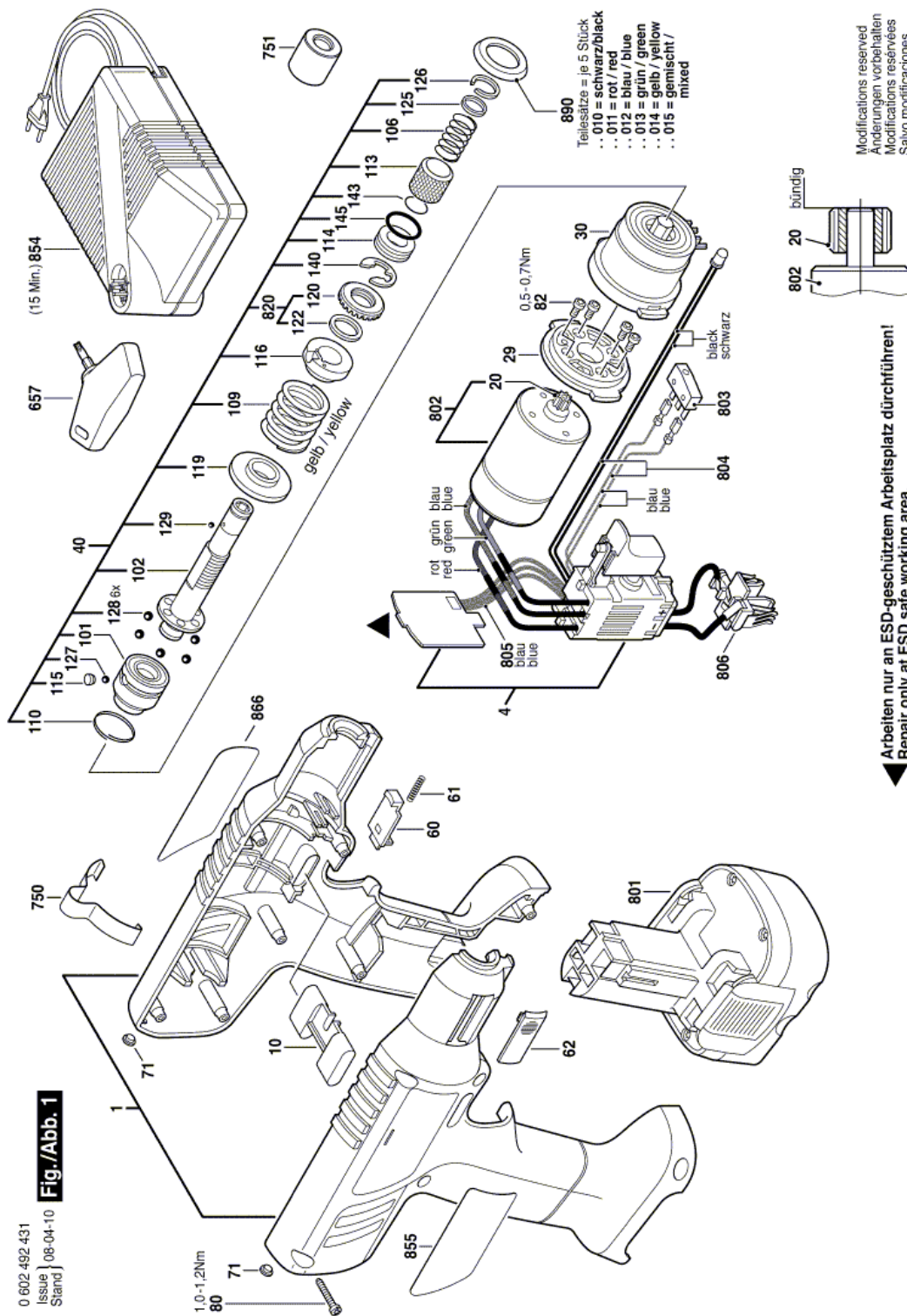


**BOSCH**

Item	Part Number	Description	Illustration	Price	Quantity	Price Group
	1 3 605 105 035	Housing Section		1	£15,70	1 32
	4 3 607 200 113	Electronic Assembly		1	£300,00	1 58
	10 3 601 099 003	Switch Slide		1	£0,70	1 11
	20 3 606 309 060	Pinion		1	£30,20	1 38
	29 2 605 719 011	Intermediate Flange		1	£1,20	1 13
	30 3 607 030 469	Planetary Gear Train		1	£41,40	1 41
	40 3 607 031 534	Assembly kit		1	£164,00	1 53
	60 3 601 923 022	Switching Element		1	£1,75	1 15
	61 3 604 611 022	Compression Spring		1	£1,30	1 14
	62 3 601 923 029	Slide		1	£1,75	1 15
	71 3 604 460 132	Light Conductor		1	£1,00	2 12
	80 2 603 490 018	Lens Head Screw		1	£0,45	8 10
	82 2 603 414 048	Socket head cap screw		1	£0,70	4 11
	101 3 606 445 043	Clutch Element		1	£67,00	1 46
	102 3 603 124 023	Output Shaft		1	£41,40	1 41
	106 3 604 610 011	Compression Spring		1	£1,00	1 12
	109 3 604 619 003	Compression Spring		1	£2,45	1 17
	110 3 600 224 053	Retaining ring		1	£0,70	1 11
	113 3 600 499 003	Clamp Bushing		1	£3,45	1 20
	114 3 600 921 001	Plain bearing		1	£3,45	1 20
	115 3 601 023 011	Sealing plate		1	£1,20	1 13
	116 3 600 134 014	Setting Ring		1	£18,20	1 33
	119 3 600 190 027	Support Disc		1	£4,05	1 21
	120 3 603 344 047	Catch Disk		1	£13,80	1 31
	125 3 600 202 007	Thrust ring		1	£2,65	1 18
	126 3 600 224 006	Retaining ring		1	£0,70	1 11
	127 1 903 230 006	Ball		1	£0,45	10 10
	128 1 903 230 008	Ball		1	£0,45	6 10
	129 1 903 230 003	Ball		1	£0,45	1 10
	140 2 916 080 012	Locking Washer		1	£0,70	1 11

Item	Part Number	Description	Illustration	Price	Quantity	Price Group
	143 3 600 210 038	O-Ring		1	£1,00	1 12
	145 3 600 210 116	O-Ring		1	£0,70	1 11
	657 3 607 950 020	Screwdriver		1	£9,50	1 28
	750 3 601 923 024	Suspension Loop		1	£4,05	1 21
	751 3 605 500 172	Protective Cap		1	£9,50	1 28
	801 2 607 335 877	Slide-In Accu Package		1	£101,40	1 49
	801 2 607 335 659	Accumulator Battery		1	£61,20	1 45
	802 3 607 031 626	DC motor		1	£184,00	1 54
	803 3 609 202 762	Microswitch		1	£13,80	1 31
	804 3 609 202 A42	Wiring Harness		1	£30,20	1 38
	805 3 609 202 A43	Wiring Harness		1	£9,50	1 28
	806 1 609 280 416	Contact retainer		1	£4,05	1 21
	820 3 607 031 570	Catch Disk		1	£15,70	1 32
	854 2 607 224 483	Fast Charger		1	£142,00	1 52
	854 2 607 225 029	Fast Charger		1	£53,40	1 44
	854 2 607 224 487	Fast Charger		1	£142,00	1 52
	854 2 607 224 489	Fast Charger		1	£142,00	1 52
	854 2 607 224 491	Fast Charger		1	£142,00	1 52
	854 2 607 224 493	Fast Charger		1	£142,00	1 52
	854 2 607 224 495	Fast Charger		1	£142,00	1 52
	855 3 601 119 451	Nameplate		1	£2,45	1 17
	866 3 601 119 452	Manufacturer's Nameplate		1	£2,45	1 17
	890 3 600 106 010	Parts Set		1	£10,70	1 29
	890 3 600 106 011	Parts Set		1	£10,70	1 29
	890 3 600 106 012	Parts Set		1	£10,70	1 29
	890 3 600 106 013	Parts Set		1	£10,70	1 29
	890 3 600 106 014	Parts Set		1	£10,70	1 29
	890 3 600 106 015	Parts Set		1	£10,70	1 29

Illustration - Type E



Information subject to change without further notice.