

## Pulse Wrench - 0 607 661 505 - 250 WATT-SERIE

[www.powertools-aftersaleservice.com](http://www.powertools-aftersaleservice.com)

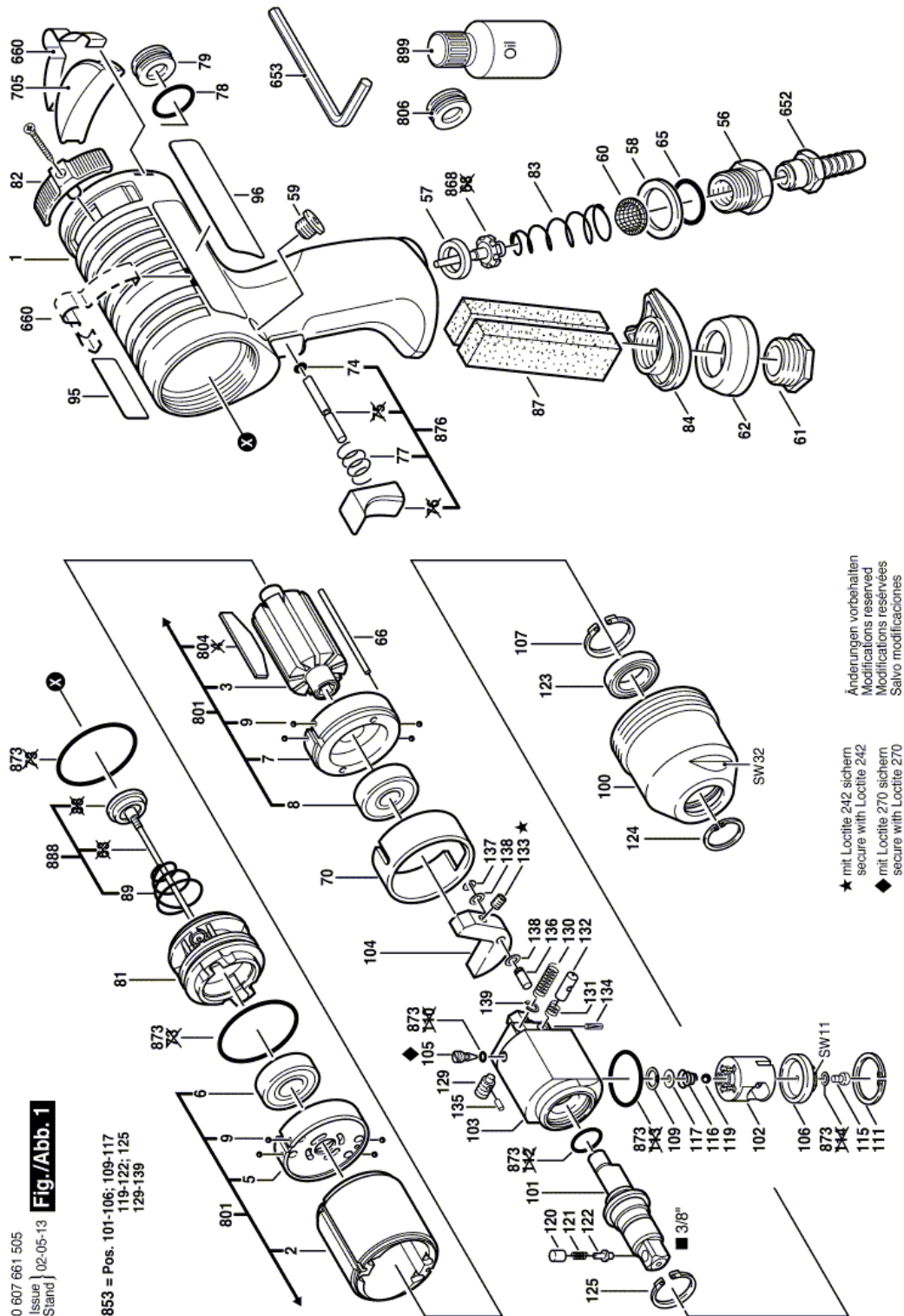


**BOSCH**

Item	Part Number	Description	Illustration	Price	Quantity	Price Group
	1 3 605 108 171	Motor Housing		1 £88,30	1	48
	2 3 604 090 057	Stator		1 £30,20	1	38
	3 3 604 220 097	Rotor		1 £101,40	1	49
	5 3 605 700 140	Bearing Flange		1 £30,20	1	38
	6 1 900 905 127	Deep-Groove Ball Bearing		1 £10,70	1	29
	7 3 605 700 141	Bearing Flange		1 £30,20	1	38
	8 1 900 905 121	Deep-Groove Ball Bearing		1 £6,55	1	25
	9 1 903 230 026	Ball		1 £0,70	8	11
	56 3 603 462 007	Fitting		1 £3,45	1	20
	57 3 600 206 005	Sealing disk		1 £2,00	1	16
	58 3 600 105 001	Shim Ring		1 £0,70	1	11
	59 3 603 414 020	Screw Plug		1 £4,75	1	22
	60 3 600 002 006	Strainer		1 £1,30	1	14
	61 3 603 462 000	Silencer		1 £6,55	1	25
	62 3 600 521 002	Screening Ring		1 £1,30	1	14
	65 1 900 210 112	O-Ring		1 £1,20	1	13
	66 3 603 201 055	Straight Pin		1 £1,30	1	14
	70 3 600 206 013	Intermediate Ring		1 £10,70	1	29
	74 3 600 210 105	O-Ring		1 £1,20	1	13
	77 3 604 610 016	Compression Spring		1 £4,75	1	22
	78 3 600 210 104	O-Ring		1 £0,70	1	11
	79 3 600 313 011	Screw Plug		1 £1,75	1	15
	81 3 608 750 041	Housing		1 £2,00	1	16
	82 3 602 000 001	Changeover Lever		1 £1,75	1	15
	83 3 604 643 016	Compression Spring		1 £2,45	1	17
	84 3 605 500 147	Housing Cover		1 £2,45	1	17
	87 3 601 010 010	Silencer		1 £0,70	2	11
	89 3 604 610 043	Compression Spring		1 £1,30	1	14
	95 3 601 100 001	Nameplate		1 £0,70	1	11
	96 3 601 110 393	Manufacturer's Nameplate		1 £1,75	1	15

Item	Part Number	Description	Illustration	Price	Quantity	Price Group
	99 3 601 119 236	Reference Plate		N/A	£1,75	1 15
	100 3 600 390 030	Housing		1	£30,20	1 38
	101 3 603 523 034	Camshaft		1	£61,20	1 45
	102 3 608 750 043	Piston		1	£41,40	1 41
	103 3 605 110 078	Housing		1	£184,00	1 54
	104 3 602 329 031	Flyweight		1	£20,20	1 34
	105 3 603 490 016	Throttle Screw		1	£4,05	1 21
	106 3 605 500 148	Sealing cap		1	£6,00	1 24
	107 3 600 119 028	Spring retaining ring		1	£1,30	1 14
	109 2 916 660 041	Spring retaining ring		1	£0,45	1 10
	111 2 916 660 007	Spring retaining ring		1	£0,45	1 10
	115 3 603 400 004	Screw		1	£3,45	1 20
	116 3 604 610 044	Compression Spring		1	£1,20	1 13
	117 3 600 100 015	Stop Disc		1	£0,70	1 11
	119 1 903 230 009	Ball		1	£0,45	1 10
	120 1 600 506 010	Guide Sleeve		1	£4,75	1 22
	121 1 604 611 004	Compression Spring		1	£0,70	1 11
	122 1 603 124 060	Pressure Spindle		1	£2,00	1 16
	123 3 600 905 104	Deep-Groove Ball Bearing		1	£8,20	1 27
	124 3 600 224 038	Spring retaining ring		1	£0,70	1 11
	125 2 600 119 000	Spring retaining ring		1	£0,70	1 11
	129 3 603 414 021	Adjusting Screw		1	£4,75	1 22
	130 3 604 610 047	Compression Spring		1	£1,75	1 15
	131 3 604 610 007	Compression Spring		1	£0,70	1 11
	132 3 608 750 044	Piston		1	£6,55	1 25
	133 2 603 400 011	Set screw		1	£1,30	1 14
	134 2 917 530 036	Half-Length-Tpr.Grvd. Pin		1	£0,45	1 10
	135 3 603 100 031	Straight Pin		1	£3,05	1 19
	136 3 603 100 032	Retaining Pin		1	£6,00	1 24
	137 3 600 224 035	Locking Washer		1	£0,70	1 11
	138 2 600 100 510	Shim		1	£0,70	2 11
	139 3 600 119 029	Retaining ring		1	£1,20	1 13
	652 2 603 386 002	Hose fitting		1	£2,45	1 17
	653 1 907 950 004	Offset Screwdriver		1	£2,00	1 16
	660 3 601 923 017	Suspension Loop		1	£9,50	1 28
	705 3 603 231 006	Support Element		1	£27,30	1 37
	801 3 607 030 329	Assembly Of Service Parts		1	£267,00	1 57
	804 3 607 030 331	Assembly Of Service Parts		1	£33,80	1 39
	806 3 609 202 745	Screw Plug		1	£24,50	1 36
	853 3 607 030 330	Assembly Of Service Parts		1	£398,00	1 61
	868 3 608 750 042	Valve Cone		1	£1,20	1 13
	873 3 607 030 360	Assembly Of Service Parts		1	£6,55	1 25
	876 3 607 030 332	Assembly Of Service Parts		1	£18,20	1 33
	888 3 607 030 333	Assembly Of Service Parts		1	£10,70	1 29
	899 3 605 430 008	Oil		1	£12,50	1 30

Illustration - Type E



Information subject to change without further notice.