

Pulse Wrench - 0 607 661 506 - 250 WATT-SERIE

www.powertools-aftersaleservice.com

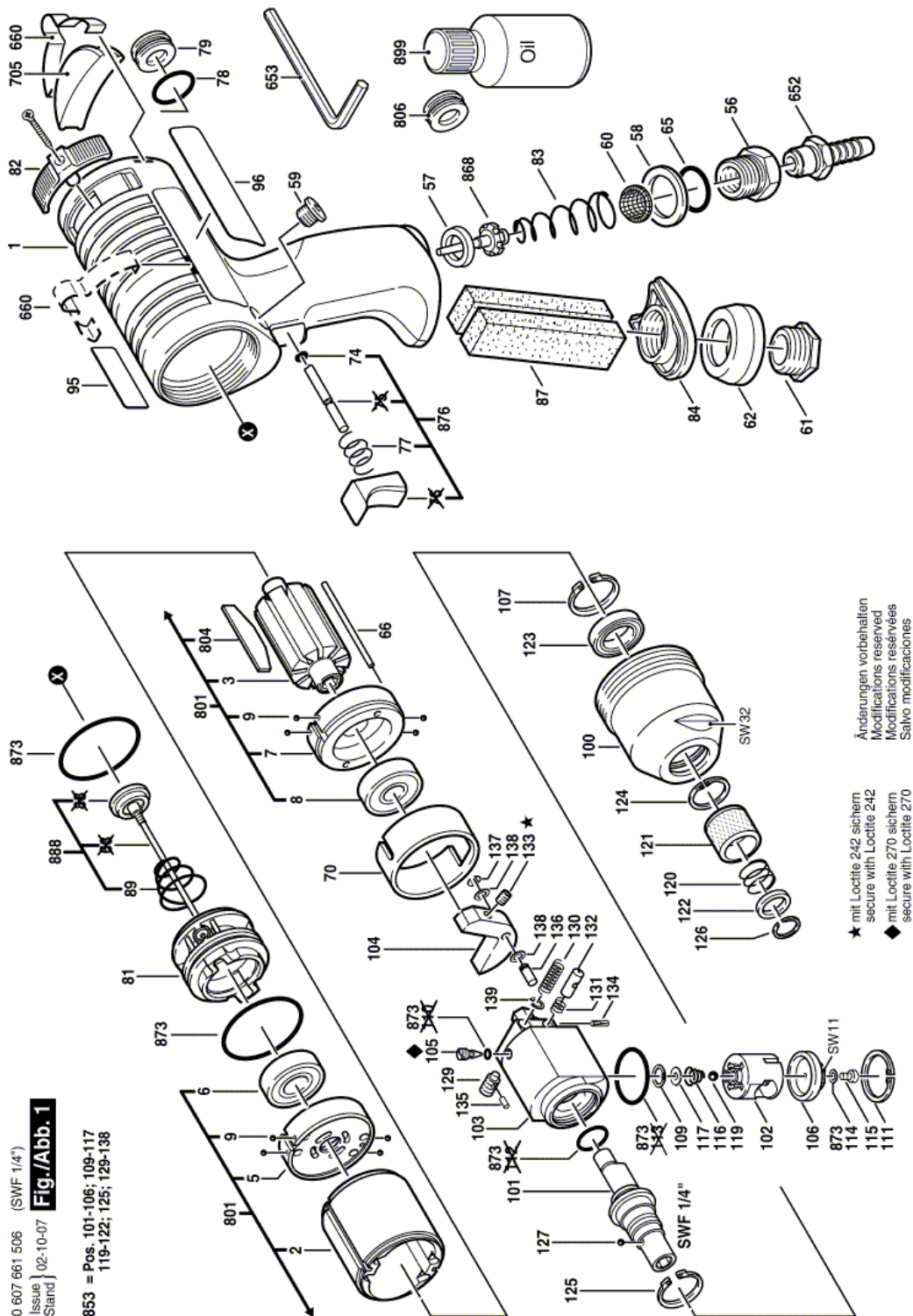


BOSCH

Item	Part Number	Description	Illustration	Price	Quantity	Price Group
	1 3 605 108 171	Motor Housing		1	£88,30	1 48
	2 3 604 090 057	Stator		1	£30,20	1 38
	3 3 604 220 097	Rotor		1	£101,40	1 49
	5 3 605 700 140	Bearing Flange		1	£30,20	1 38
	6 1 900 905 127	Deep-Groove Ball Bearing		1	£10,70	1 29
	7 3 605 700 141	Bearing Flange		1	£30,20	1 38
	8 1 900 905 121	Deep-Groove Ball Bearing		1	£6,55	1 25
	9 1 903 230 026	Ball		1	£0,70	8 11
	56 3 603 462 007	Fitting		1	£3,45	1 20
	57 3 600 206 005	Sealing disk		1	£2,00	1 16
	58 3 600 105 001	Shim Ring		1	£0,70	1 11
	59 3 603 414 020	Screw Plug		1	£4,75	1 22
	60 3 600 002 006	Strainer		1	£1,30	1 14
	61 3 603 462 000	Silencer		1	£6,55	1 25
	62 3 600 521 002	Screening Ring		1	£1,30	1 14
	65 1 900 210 112	O-Ring		1	£1,20	1 13
	66 3 603 201 055	Straight Pin		1	£1,30	1 14
	70 3 600 206 013	Intermediate Ring		1	£10,70	1 29
	74 3 600 210 105	O-Ring		1	£1,20	1 13
	77 3 604 610 016	Compression Spring		1	£4,75	1 22
	78 3 600 210 104	O-Ring		1	£0,70	1 11
	79 3 600 313 011	Screw Plug		1	£1,75	1 15
	81 3 608 750 041	Housing		1	£2,00	1 16
	82 3 602 000 001	Changeover Lever		1	£1,75	1 15
	83 3 604 643 016	Compression Spring		1	£2,45	1 17
	84 3 605 500 147	Housing Cover		1	£2,45	1 17
	87 3 601 010 010	Silencer		1	£0,70	2 11
	89 3 604 610 043	Compression Spring		1	£1,30	1 14
	95 3 601 100 001	Nameplate		1	£0,70	1 11
	96 3 601 110 393	Manufacturer's Nameplate		1	£1,75	1 15

Item	Part Number	Description	Illustration	Price	Quantity	Price Group
	99 3 601 119 236	Reference Plate	N/A	£1,75	1	15
	100 3 600 390 030	Housing	1	£30,20	1	38
	101 3 603 523 035	Camshaft	1	£67,00	1	46
	102 3 608 750 043	Piston	1	£41,40	1	41
	103 3 605 110 078	Housing	1	£184,00	1	54
	104 3 602 329 031	Flyweight	1	£20,20	1	34
	105 3 603 490 016	Throttle Screw	1	£4,05	1	21
	106 3 605 500 148	Sealing cap	1	£6,00	1	24
	107 3 600 119 028	Spring retaining ring	1	£1,30	1	14
	109 2 916 660 041	Spring retaining ring	1	£0,45	1	10
	111 2 916 660 007	Spring retaining ring	1	£0,45	1	10
	114 2 916 710 636	Flat Seal Ring	1	£2,00	1	16
	115 3 603 400 004	Screw	1	£3,45	1	20
	116 3 604 610 044	Compression Spring	1	£1,20	1	13
	117 3 600 100 015	Stop Disc	1	£0,70	1	11
	119 1 903 230 009	Ball	1	£0,45	1	10
	120 3 604 617 000	Compression Spring	1	£0,70	1	11
	121 3 600 311 007	Clamping Sleeve	1	£2,65	1	18
	122 3 600 202 006	Thrust ring	1	£1,30	1	14
	123 3 600 905 104	Deep-Groove Ball Bearing	1	£8,20	1	27
	124 3 600 224 038	Spring retaining ring	1	£0,70	1	11
	125 2 600 119 000	Spring retaining ring	1	£0,70	1	11
	126 3 600 224 006	Retaining ring	1	£0,70	1	11
	127 1 903 230 004	Ball	1	£0,45	1	10
	129 3 603 414 021	Adjusting Screw	1	£4,75	1	22
	130 3 604 610 047	Compression Spring	1	£1,75	1	15
	131 3 604 610 007	Compression Spring	1	£0,70	1	11
	132 3 608 750 044	Piston	1	£6,55	1	25
	133 2 603 400 011	Set screw	1	£1,30	1	14
	134 2 917 530 036	Half-Length-Tpr.Grvd. Pin	1	£0,45	1	10
	135 3 603 100 031	Straight Pin	1	£3,05	1	19
	136 3 603 100 032	Retaining Pin	1	£6,00	1	24
	137 3 600 224 035	Locking Washer	1	£0,70	1	11
	138 2 600 100 510	Shim	1	£0,70	2	11
	139 3 600 119 029	Retaining ring	1	£1,20	1	13
	652 2 603 386 002	Hose fitting	1	£2,45	1	17
	653 1 907 950 004	Offset Screwdriver	1	£2,00	1	16
	660 3 601 923 017	Suspension Loop	1	£9,50	1	28
	705 3 603 231 006	Support Element	1	£27,30	1	37
	801 3 607 030 329	Assembly Of Service Parts	1	£267,00	1	57
	804 3 607 030 331	Assembly Of Service Parts	1	£33,80	1	39
	806 3 609 202 745	Screw Plug	1	£24,50	1	36
	853 3 607 030 335	Assembly Of Service Parts	1	£398,00	1	61
	868 3 608 750 042	Valve Cone	1	£1,20	1	13
	873 3 607 030 360	Assembly Of Service Parts	1	£6,55	1	25
	876 3 607 030 332	Assembly Of Service Parts	1	£18,20	1	33
	888 3 607 030 333	Assembly Of Service Parts	1	£10,70	1	29
	899 3 605 430 008	Oil	1	£12,50	1	30

Illustration - Type E



Information subject to change without further notice.