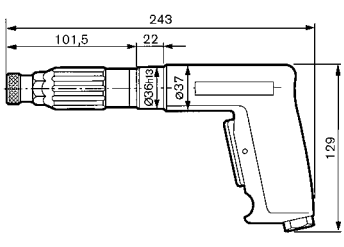
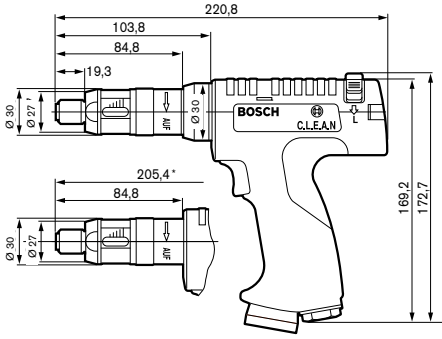
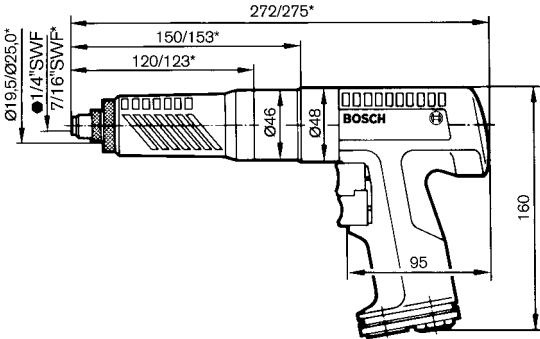
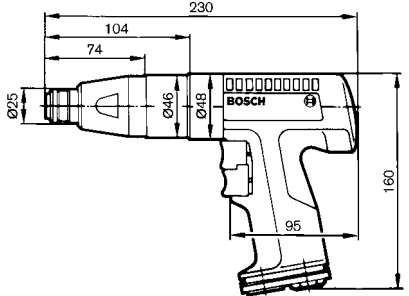


Dimensional drawings

Center grip screwdrivers and tappers

Dimensions in mm	Part number
<p>*Asterisk indicates alternate dimensions for corresponding tool part numbers</p> 	<p>0 607 453 421 0 607 453 422 Noise = 70 Db</p>
	<p>0 607 453 429* 0 607 453 430* 0 607 453 431 0 607 453 432 0 607 453 433 0 607 453 434* 0 607 453 435* 0 607 453 436 0 607 453 437 0 607 453 438 0 607 453 439* 0 607 453 440* 0 607 453 441* 0 607 453 442* 0 607 453 443* Noise = 70 Db</p>
	<p>0 607 461 401 0 607 461 402 0 607 461 403 0 607 461 404 0 607 461 405 0 607 461 406 0 607 461 407* 0 607 461 408* 0 607 461 409* Noise = 77 Db</p>
	<p>0 607 461 410 0 607 461 411 0 607 461 412 0 607 461 413 Noise = 76 Db</p>