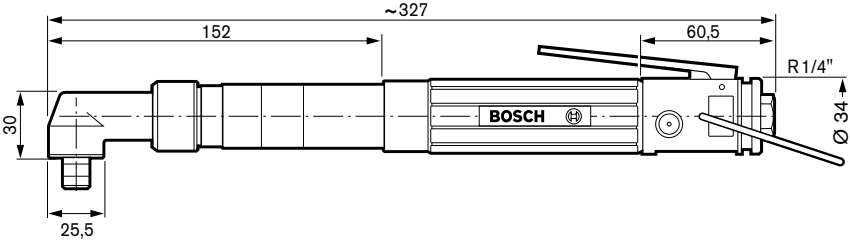
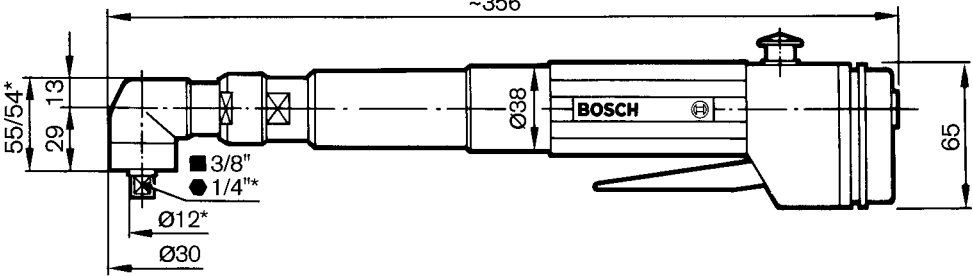
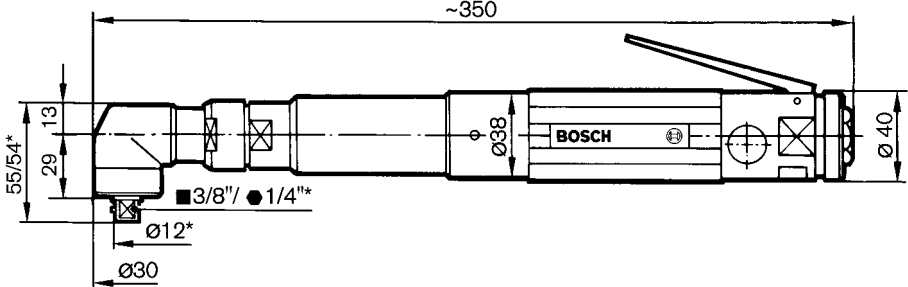
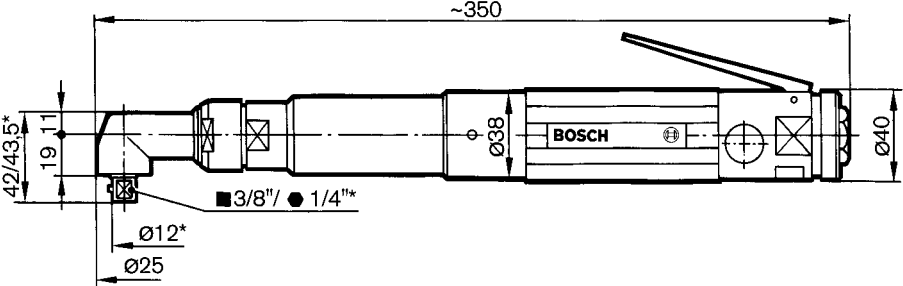


Dimensional drawings

Angle nutrunners

Dimensions in mm	Part number
<p>*Asterisk indicates alternate dimensions for corresponding tool part numbers</p> 	<p>0 607 453 621 0 607 453 622 0 607 453 623 0 607 453 624 0 607 453 625 0 607 453 626</p> <p>Noise = 76 Db</p>
	<p>0 607 451 600 0 607 451 601* 0 607 451 604</p> <p>Noise = 77 Db</p>
	<p>0 607 451 602 0 607 451 603* 0 607 451 605</p> <p>Noise = 77 Db</p>
	<p>0 607 451 606 0 607 451 607*</p> <p>Noise = 77 Db</p>

Dimensional drawings

Angle nutrunners

Dimensions in mm	Part number
<p>*Asterisk indicates alternate dimensions for corresponding tool part numbers</p>	<p>0 607 461 600 0 607 461 602 0 607 461 604* 0 607 461 605*</p> <p>Noise = 76 Db</p>
	<p>0 607 452 603 0 607 452 604 0 607 452 605 0 607 452 607*</p> <p>Noise = 77 Db</p>
	<p>0 607 457 600 0 607 457 601</p> <p>Noise = 77 Db</p>
	<p>0 607 457 602</p> <p>Noise = 77 Db</p>