

**Functional Principle with DMF-P A300 NCF Type 4734A...**

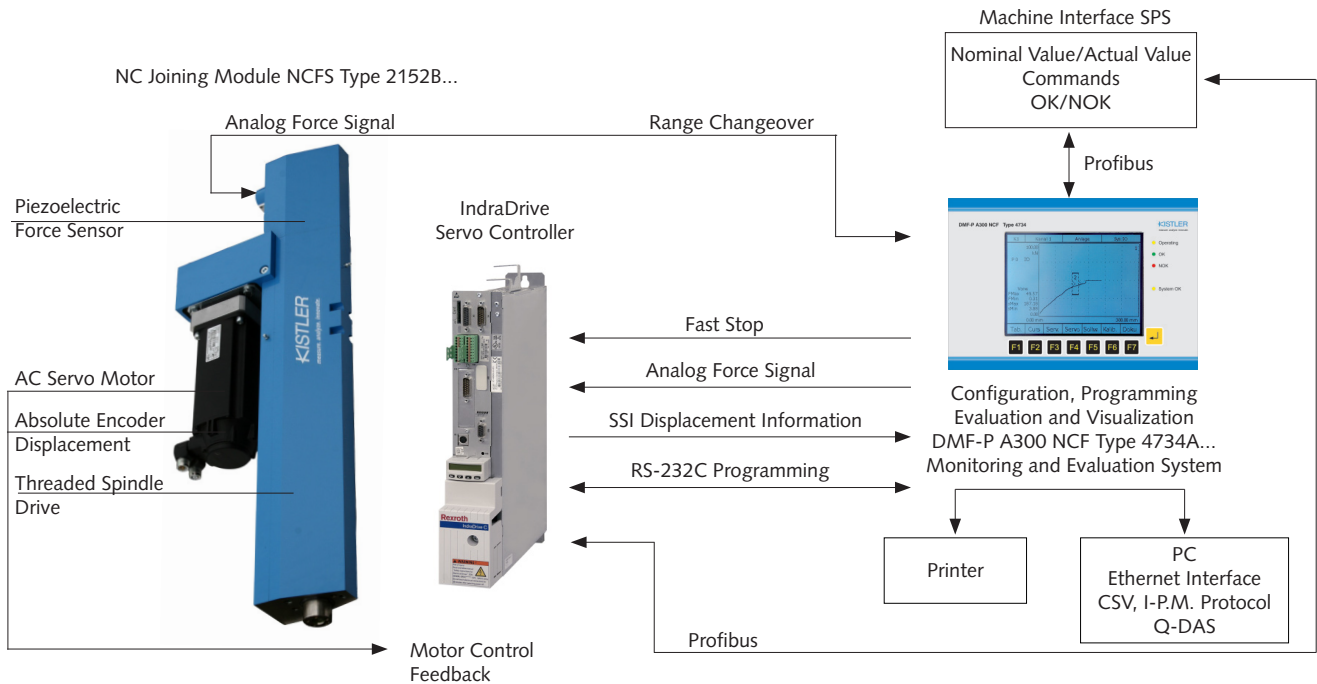


Fig. 2: Functional principle of NC joining system with NC joining module NCFS Type 2152B... and DMF-P A300 NCF Type 4734A...

**Included Accessories**

- None

**Optional Accessories**

- Servo controller for Type 2152A... with integrated safety option IndraDrive 28 A PB S2 MPH07
- Evaluation unit DMF-P A300 NCF
- Wall housing evaluation unit
- Desktop housing evaluation unit
- Panel housing evaluation unit

**Type/Art. No.**

- KSM035371
- 4734A...
- 4734AWDY2X4...
- 4734ATDY2X4...
- 4734AEDY2X4...

**Cable**

- NCFS 25 motor cable, length 5 m RKL4302 KSM341600-5
- NCFS MSK Feedback cable, length 5 m RKG4200 KSM303500-5
- NCF cable SSI displacement IndraDrive, length 5 m KSM301750-5
- Data cable IndraDrive, length 5 m KSM301640-5
- NCF cable force transmitter, length 5 m KSM313720-5
- NCF cable analog force signal, length 5 m KSM301760-5
- NCF cable XTE, YTE IndraDrive, length 5 m KSM314030-5

Other length on request.

2152B\_000-763e-07.10

**Functional Principle with DMF-P A310 Universal Type 4740A...**

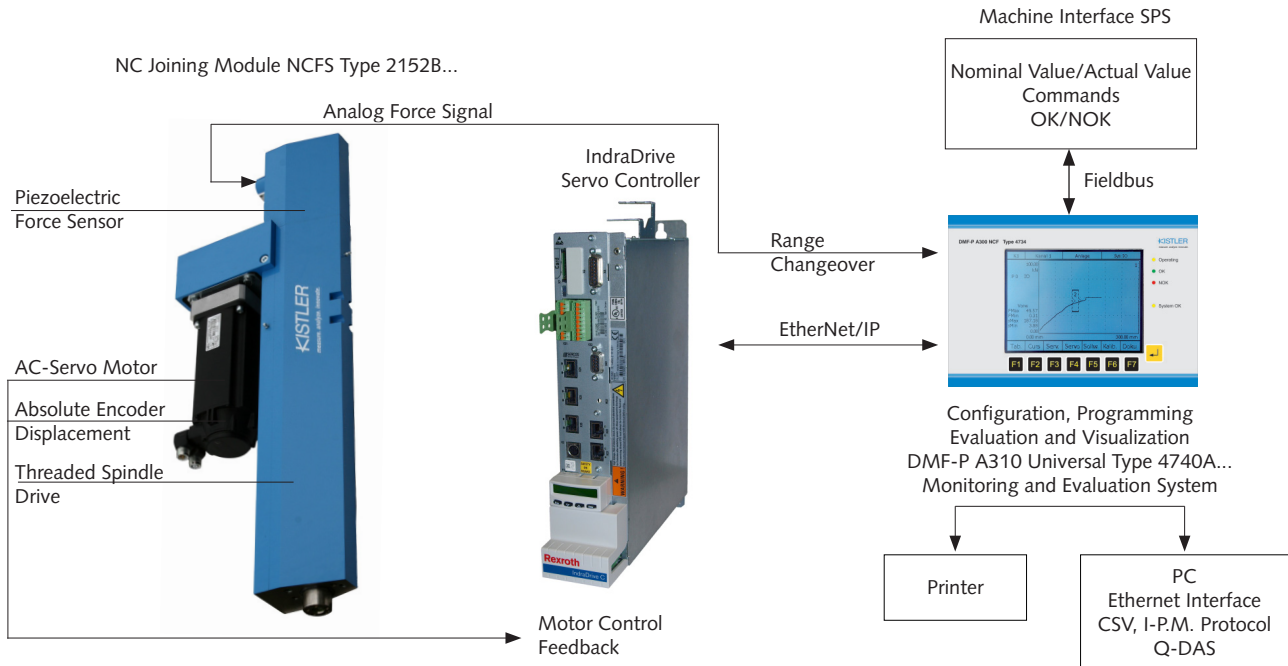


Fig. 3: Functional principle of NC joining system with NC joining module NCFS Type 2152B... and DMF-P A310 Universal Type 4740A...

**Included Accessories**

- None

**Optional Accessories**

- |  |             |
|--|-------------|
| • Servo controller IndraDrive 28 A EI S2 MPC07, NCFS 25 kN | KSM036436   |
| • Evaluation unit DMF-P A310 Universal                     | 4740A...    |
| • Wall housing evaluation unit                             | 4740AWY2... |
| • Desktop housing evaluation unit                          | 4740ATY2... |
| • Panel housing evaluation unit                            | 4740AEY2... |

**Cable**

- |   |              |
|---|--------------|
| • NCFS 25 motor cable, length 5 m RKL4302     | KSM341600-5  |
| • NCFS MSK Feedback cable, length 5 m RKG4200 | KSM303500-5  |
| • NCF cable force transmitter, length 5 m     | KSM313720-5  |
| • Network cable A310 EtherNet/IP, length 5 m  | KSM036457-5  |
| • Network cable A310 EtherNet/IP, length 10 m | KSM036458-10 |
| • Network cable A310 EtherNet/IP, length 20 m | KSM036459-20 |
| • Network cable A310 EtherNet/IP, length 30 m | KSM036460-30 |

Other length on request.

2152B\_000-763e-07.10

**Functional Principle with NC Compact**

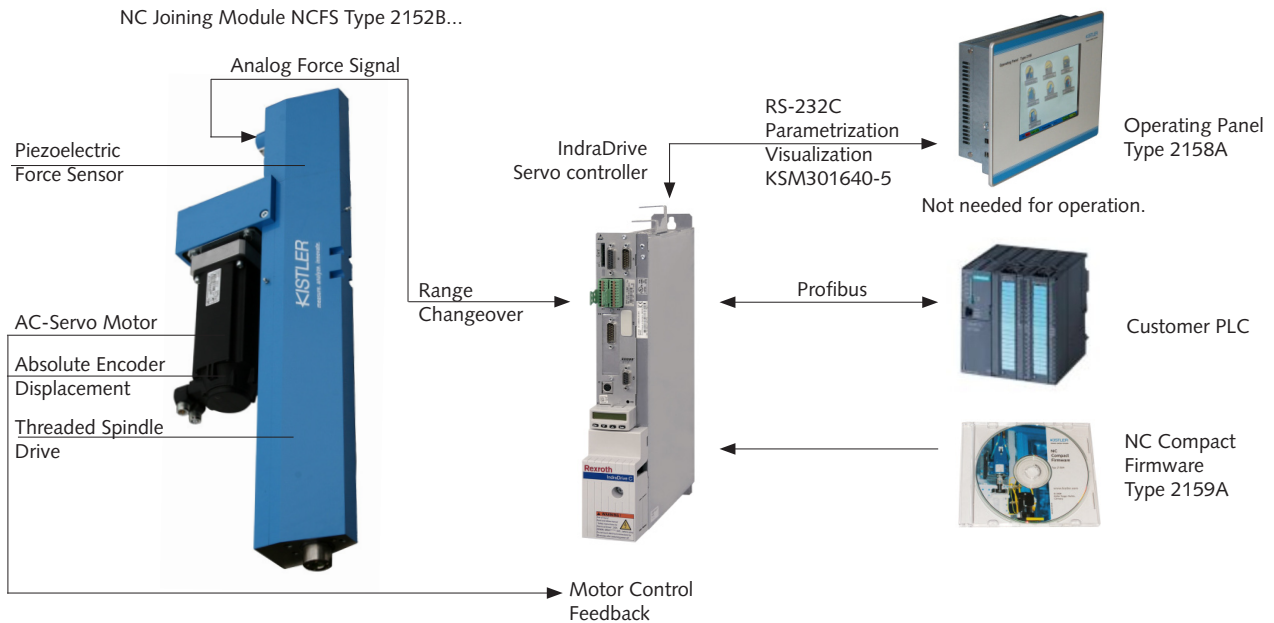


Fig. 4: Functional principle of NC joining system with NC joining module NCFS Type 2152B... and NC Compact Type 2158A and Type 2159A

**Included Accessories**

- None

**Optional Accessories**

- Servo controller for Type 2152A... with integrated safety option  
IndraDrive 28 A PB S2 MPH07
- NC Compact Firmware
- NC Compact Operating Panel

**Type/Art. No.**

KSM035371  
2159A  
2158A

**Cable**

- NCFS 25 motor cable, length 5 m RKL4302 KSM341600-5
- NCFS MSK Feedback cable, length 5 m RKG4200 KSM303500-5
- Data cable IndraDrive, length 5 m KSM301640-5
- NCF cable force transmitter, length 5 m (NC Compact) KSM313710-5

Other length on request.

**Note:**

Other Fieldbus Interfaces e.g. EtherNet/IP, Profinet, etc. on request.

2152B\_000-763e-07.10

### Possible Assembly

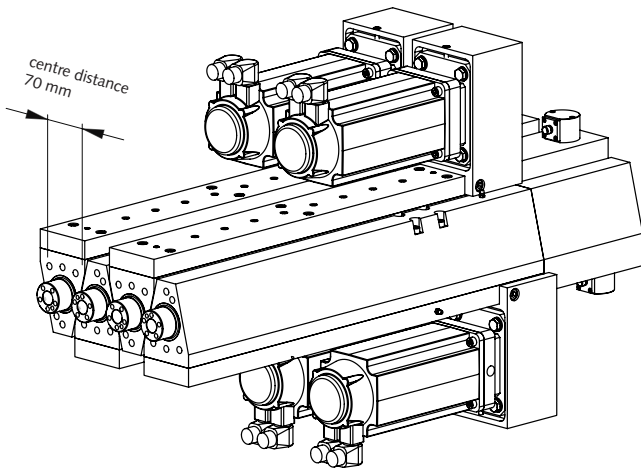


Fig. 5: Extremely narrow assembly space requirements from NC joining module NCFS

### Ordering Key

		Type 2152B		<input type="checkbox"/>	<input type="checkbox"/>
<b>Nominal Force [kN]</b>				↑	↑
Measuring range 1	25				
Measuring range 2	15	<b>25</b>			
<b>Stroke [mm]</b>					
	350		<b>350</b>		

### Ordering Example

**Type 2152B25350**

NC Joining Module NCFS **Type 2152B...**, nominal force, measuring range 1: 25 kN, measuring range 2: 15 kN **25 kN**, stroke 350 mm