

## Technical Data

Dimensions	mm	Fig. 1
Assembly		Wall or flange assembly
Weight	kg	refer dimension
Max. tool weight*	kg	refer dimension
Direction of measurement		tension/ compression
Nominal force	kN	30, 60, 100, 200, 300
Stroke length		
only nominal force ≤100 kN	mm	200
nominal force 30 ... 300 kN	mm	400
Anti rotate tool fitting		Fig. 1
Safety device optional	V/A	24/3 to 5 <sup>1)</sup>
Holding brake (standard)	V/A	24/0,7 to 1,5 <sup>1)</sup>
Max. speed		
NC joining module 300 kN	mm/s	100
NC joining module 200 kN	mm/s	140
NC joining module 100 kN	mm/s	200
NC joining module 30, 60 kN	mm/s	250
Displacement sensor system		absolute encoder
Resolution	mm	0,001
Force sensor		strain gage
Accuracy	%	<0,5
Temperature range	°C	10 ... 40

Protection class		IP54
Life cycle ball screw (per defined drive profile)	cycles	approx. 10 million

<b>Servo Controller</b>	Bosch-Rexroth Type IndraDrive	
Standard Interface**		Profibus
Control voltage	VDC/W	24 (19,2 ... 28,8) /24
Power connection	V	400 (400 ... 500) ±10 %
	Hz	50/60 ±2 %
	phase	3

<b>Evaluation Unit</b>	Type 4734A... or Type 4740A...	
Standard Interface		Profibus
Supply	VDC	24 ±10 %

<b>Evaluation Unit</b>		
NC Compact Firmware		Type 2159A
Operating Panel		Type 2158A

\* Possible radial forces must be considered independent of the mounting.

\*\* Dependent of system

<sup>1)</sup> Dependent size/type

To assure sufficient lubrication in case of strokes which are considerably smaller than the nominal stroke one nominal stroke has to be made at regular intervals.

**Dimensions**

Type	A	A**	B	øJ	øK	C2	C3	G1	G2	P	O	R	F1	F2	C1	X	Y	øV
2153A030200	1 042	1 237	528	90	120	50	5	148	150	100	100	M12x24	75	75	215	20	4,5	11
2153A030400	1 242	1 437	728	90	120	50	5	148	150	100	100	M12x24	75	75	215	20	4,5	11
2153A060200	1 150	1 345	544	110	150	50	5	177	180	130	130	M16x32	90	90	215	20	4,5	13,5
2153A060400	1 350	1 545	744	110	150	50	5	177	180	130	130	M16x32	90	90	215	20	4,5	13,5
2153A100200	1 332,5	1 557,5	640	160	195	50	5	227	230	170	170	M20x40	115	115	280	28	6	17,5
2153A100400	1 532,5	1 757,5	840	160	195	50	5	227	230	170	170	M20x40	115	115	280	28	6	17,5
2153A200400	1 732,5	1 957,5	968	160	200	50	5	247	250	190	190	M20x40	115	115	282	36	9	22
2153A300400	1 885,5	2 110,4	1 035	200	240	72	8	297	300	210	210	M24x48	150	150	377	36	9	26

\*\* Dimensions with safety device

Type	øL	H	D	E	Z	M øTK	øT H7	N	øS H7	W	U	Q	Weight [kg]	Tool weight [kg]
2153A030200	18	75	150	150	125	65	8x16	68	8x16	112,5 °	8x45 °	M8x16	75	100
2153A030400	18	75	150	150	125	65	8x16	68	8x16	112,5 °	8x45 °	M8x16	95	100
2153A060200	20	90	140	150	150	80	8x16	82	10x10	112,5 °	8x45 °	M10x20	115	100
2153A060400	20	90	140	150	150	80	8x16	82	10x10	112,5 °	8x45 °	M10x20	140	100
2153A100200	26	80	204	180	200	120	10x20	106	12x24	112,5 °	8x45 °	M16x32	225	100
2153A100400	26	80	204	180	200	120	10x20	106	12x24	112,5 °	8x45 °	M16x32	270	100
2153A200400	33	100	200	200	205	120	10x20	115	12x24	112,5 °	8x45 °	M16x32	355	100
2153A300400	40	145	270	250	252	140	12x24	135	12x24	112,5 °	8x45 °	M16x32	794	150

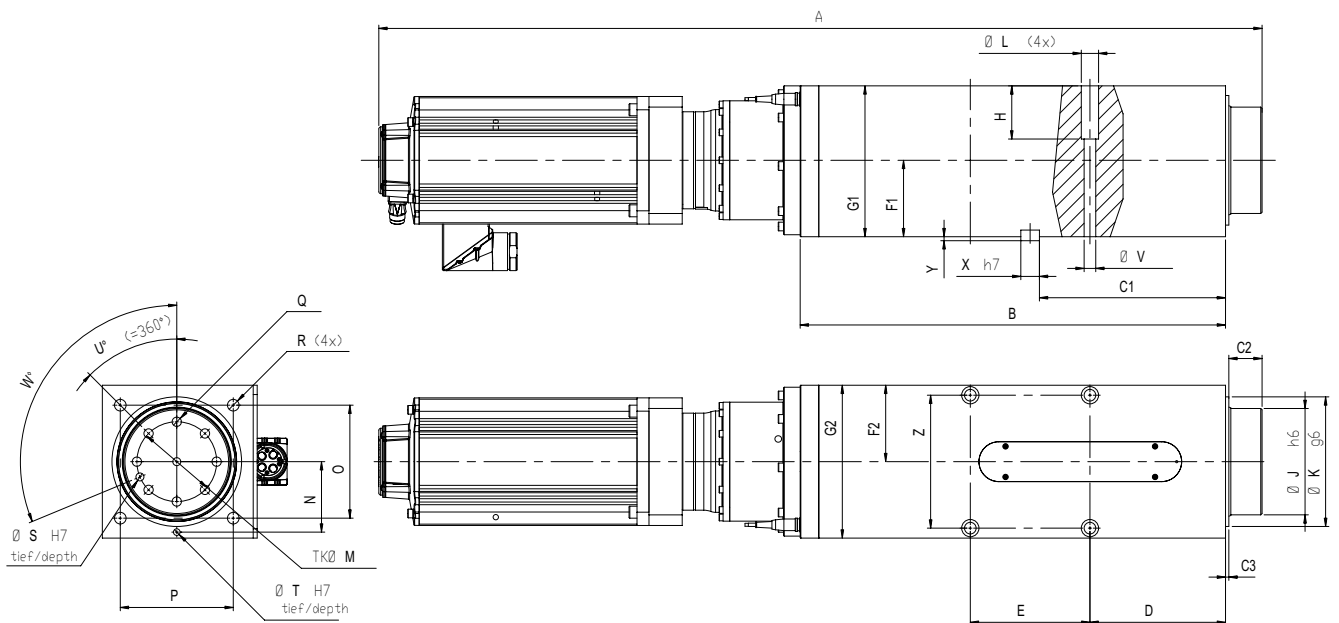


Fig. 1: Dimensions NC joining module NCFN Type 2153A...

Assembly may require an external guidance for the roller ram.  
Radial forces such as tool weight must be considered.

2153A\_000-669e-07.10