

Pn-Screwdriver - Ind. - 0 607 452 603 - 550 WATT-S...

www.powertools-aftersaleservice.com



BOSCH

Item	Part Number	Description	Illustration	Price	Quantity	Price Group	
1	3 600 760 113	Motor Housing		1	-,-	1	-
2	3 604 090 064	Stator		1	-,-	1	-
3	3 604 220 159	Rotor		1	-,-	1	-
5	3 605 700 175	Bearing Flange		1	-,-	1	-
6	3 600 905 039	Deep-Groove Ball Bearing		1	-,-	1	-
7	3 605 700 176	Bearing Flange		1	-,-	1	-
8	1 900 905 030	Deep-Groove Ball Bearing		1	-,-	1	-
9	3 600 210 003	O-Ring		1	-,-	1	-
10	3 605 700 180	Bearing Flange		1	-,-	1	-
11	3 609 202 A05	Shim		1	-,-	1	-
12	3 605 700 179	Bearing Flange		1	-,-	1	-
13	1 610 210 075	O-Ring		1	-,-	1	-
14	1 610 210 100	O-Ring		1	-,-	2	-
15	3 609 201 579	Straight Pin		1	-,-	2	-
16	3 600 409 010	Sleeve		1	-,-	1	-
17	3 600 210 003	O-Ring		1	-,-	1	-
18	2 917 850 055	Straight Pin		1	-,-	1	-
19	1 610 210 128	O-Ring		1	-,-	1	-
20	3 600 409 011	Sealing Sleeve		1	-,-	1	-
21	3 600 210 006	O-Ring		1	-,-	1	-
22	3 600 210 022	O-Ring		1	-,-	2	-
23	1 903 230 026	Ball		1	-,-	2	-
26	3 606 300 000	Pinion		1	-,-	1	-
27	3 600 101 001	Stop Disc		1	-,-	1	-
28	3 606 334 095	Ring Gear		1	-,-	1	-
29	3 606 337 219	Planetary-Gear Carrier		1	-,-	1	-
31	3 606 316 000	Cylindrical Gear		1	-,-	3	-
32	3 600 913 000	Needle-Roller Assembly		1	-,-	9	-
33	3 603 201 000	Needle Roller		1	-,-	3	-
35	2 917 530 083	Straight Pin		1	-,-	3	-
36	3 600 905 023	Deep-Groove Ball Bearing		1	-,-	1	-
38	3 606 337 220	Planetary-Gear Carrier		1	-,-	1	-
39	3 606 316 001	Cylindrical Gear		1	-,-	6	-

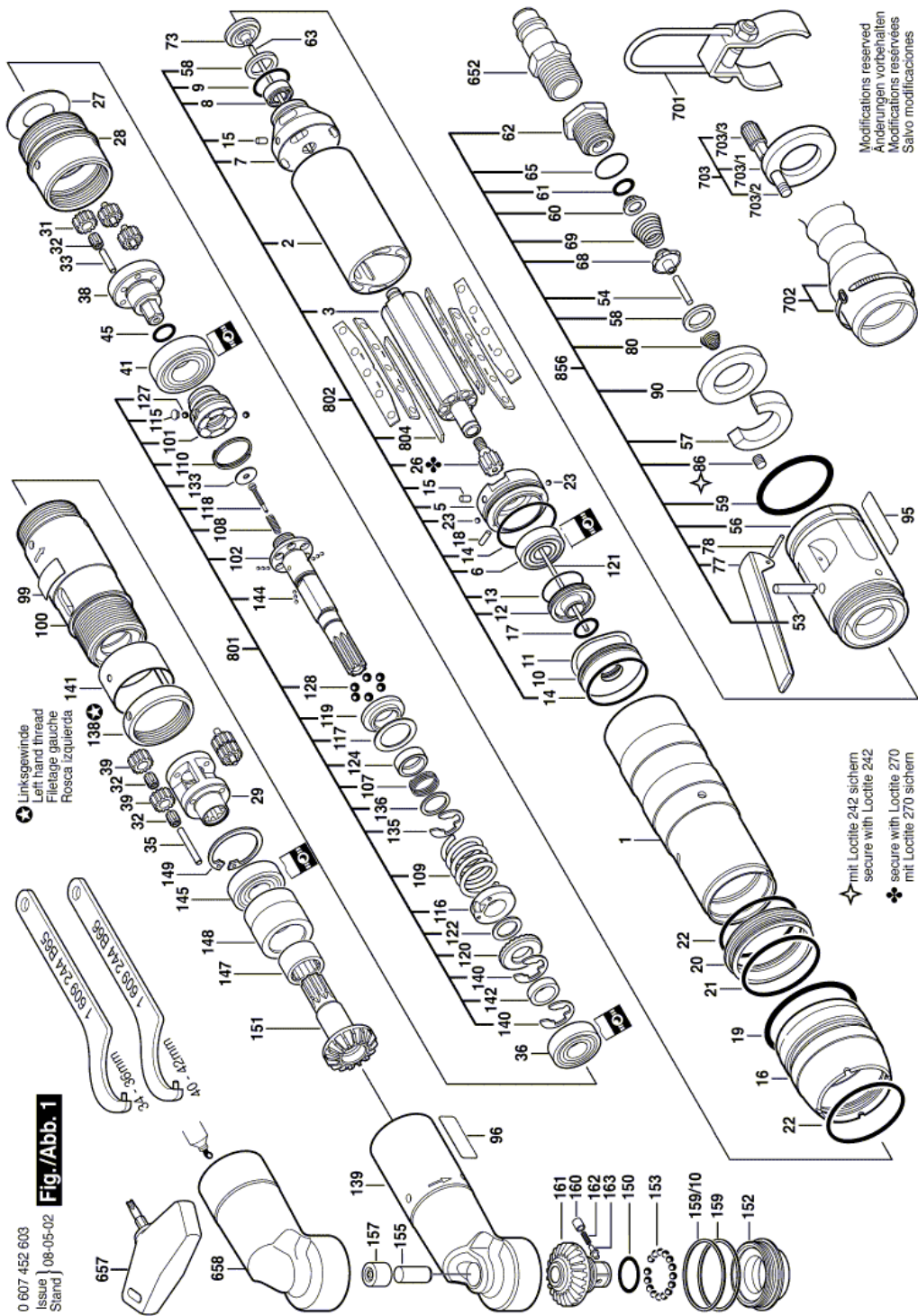
Item	Part Number	Description	Illustration	Price	Quantity	Price Group
41	3 600 905 027	Deep-Groove Ball Bearing	1	-,-	1	-
45	2 600 210 001	O-Ring	1	-,-	1	-
53	3 603 201 085	Bolt	1	-,-	1	-
54	2 917 530 081	Straight Pin	1	-,-	1	-
56	3 605 190 195	Valve Housing	1	-,-	1	-
57	3 601 010 046	Non-woven fabric	1	-,-	1	-
58	3 600 209 004	Valve Bushing	1	-,-	2	-
59	1 610 210 087	O-Ring	1	-,-	1	-
60	3 600 002 000	Strainer	1	-,-	1	-
61	1 900 210 306	O-Ring	1	-,-	1	-
62	3 603 458 008	Fitting	1	-,-	1	-
63	3 603 100 030	Connecting Rod	1	-,-	1	-
65	3 600 210 036	O-Ring	1	-,-	1	-
68	3 603 231 017	Valve Cone	1	-,-	1	-
69	3 604 616 008	Compression Spring	1	-,-	1	-
73	3 608 750 040	Valve Cone	1	-,-	1	-
77	3 601 902 001	Control Lever	1	-,-	1	-
78	2 917 710 039	Grooved Pin	1	-,-	1	-
80	3 604 643 010	Compression Spring	1	-,-	1	-
86	2 912 041 147	Set screw	1	-,-	1	-
90	3 600 105 013	Silencer	1	-,-	1	-
95	3 601 100 001	Nameplate	1	-,-	1	-
96	3 601 110 331	Manufacturer's nameplate	1	-,-	2	-
99	3 601 119 236	Reference Plate	1	-,-	1	-
100	3 605 125 062	Housing	1	-,-	1	-
101	3 606 445 043	Clutch Element	1	-,-	1	-
102	3 603 124 030	Output Shaft	1	-,-	1	-
107	3 604 615 004	Compression Spring	1	-,-	1	-
108	3 604 610 057	Compression Spring	1	-,-	1	-
109	3 604 619 020	Compression Spring	1	-,-	1	-
110	3 600 224 053	Retaining ring	1	-,-	1	-
115	3 601 023 011	Sealing plate	1	-,-	1	-
116	3 600 134 016	Setting Ring	1	-,-	1	-
117	1 600 101 023	Plain Washer	1	-,-	1	-
118	3 603 003 005	Rod	1	-,-	1	-
119	3 600 190 023	Support Disc	1	-,-	1	-
120	3 603 344 046	Catch Disk	1	-,-	1	-
121	3 603 201 077	Straight Pin	1	-,-	1	-
122	3 600 101 052	Shim Ring	1	-,-	1	-
124	3 600 250 004	Ring	1	-,-	1	-
127	1 903 230 006	Ball	1	-,-	10	-
128	1 903 230 008	Ball	1	-,-	6	-
133	3 600 190 024	Washer	1	-,-	1	-
135	3 600 224 059	Retaining ring	1	-,-	1	-
136	2 600 101 513	Plain Washer	1	-,-	1	-
138	3 603 344 097	Threaded Ring	1	-,-	1	-
139	3 605 106 093	Spindle Housing	1	-,-	1	-
140	2 916 080 012	Locking Washer	1	-,-	2	-
141	3 600 400 032	Protection Sleeve	1	-,-	1	-
142	3 600 200 055	Spacer Ring	1	-,-	1	-
144	1 903 230 002	Ball	1	-,-	9	-
145	3 600 905 015	Deep-Groove Ball Bearing	1	-,-	1	-
147	3 600 917 020	Needle bearing	1	-,-	1	-

Item	Part Number	Description	Illustration	Price	Quantity	Price Group
148	3 608 874 921	Spacer	1	-,-	1	-
149	2 916 660 011	Spring retaining ring	1	-,-	1	-
150	1 610 210 116	O-Ring	1	-,-	1	-
152	3 605 700 173	Bearing Flange	1	-,-	1	-
153	1 903 230 008	Ball	1	-,-	15	-
155	3 603 100 000	Straight Pin	1	-,-	1	-
157	3 608 874 669	Needle bearing	1	-,-	1	-
159	3 608 874 923	Shim	1	-,-	3	-
159/10	3 608 874 924	Shim	1	-,-	2	-
160	1 600 506 010	Guide Sleeve	1	-,-	1	-
162	1 604 611 004	Compression Spring	1	-,-	1	-
163	1 603 124 060	Pressure Spindle	1	-,-	1	-
652	3 603 386 063	Hose fitting	1	-,-	1	-
657	3 607 950 020	Screwdriver	1	-,-	1	-
658	3 609 202 A29	Protective Cap	1	-,-	1	-
701	3 601 310 000	Suspension Loop	1	-,-	1	-
702	3 607 000 027	Air Hose	1	-,-	1	-
703	3 609 202 A08	Pressure Monitor	1	-,-	1	-
703/1	3 609 202 A07	Silencer	1	-,-	1	-
703/2	3 609 202 A06	Distance Pipe	1	-,-	1	-
703/3	2 121 004 050	Threaded joint	1	-,-	1	-
801	3 609 202 982	Assembly Of Service Parts	1	-,-	1	-
802	3 609 202 A19	Assembly Of Service Parts	1	-,-	1	-
804	3 609 202 988	Assembly Of Service Parts	1	-,-	1	-
805	3 609 202 B05	Bevel Gear	N/A	-,-	1	-
856	3 609 202 989	Assembly Of Service Parts	1	-,-	1	-

Product information Pn-Screwdriver - Ind. - 0 607 452 603 - 550 WATT-SERIE

Product No	0 607 452 603
Description	101.559; Pn-Screwdriver - Ind.
DIN-Text	
ID_Text_Ext	0
Trading_Description	550 WATT-SERIE
Voltage_1	0 V
ID_Country_Product	---

Illustration - Type E



Information subject to change without further notice.