

Cordless Screw Driver - 0 602 491 671 - BT ANGEL E...

www.powertools-aftersaleservice.com



BOSCH

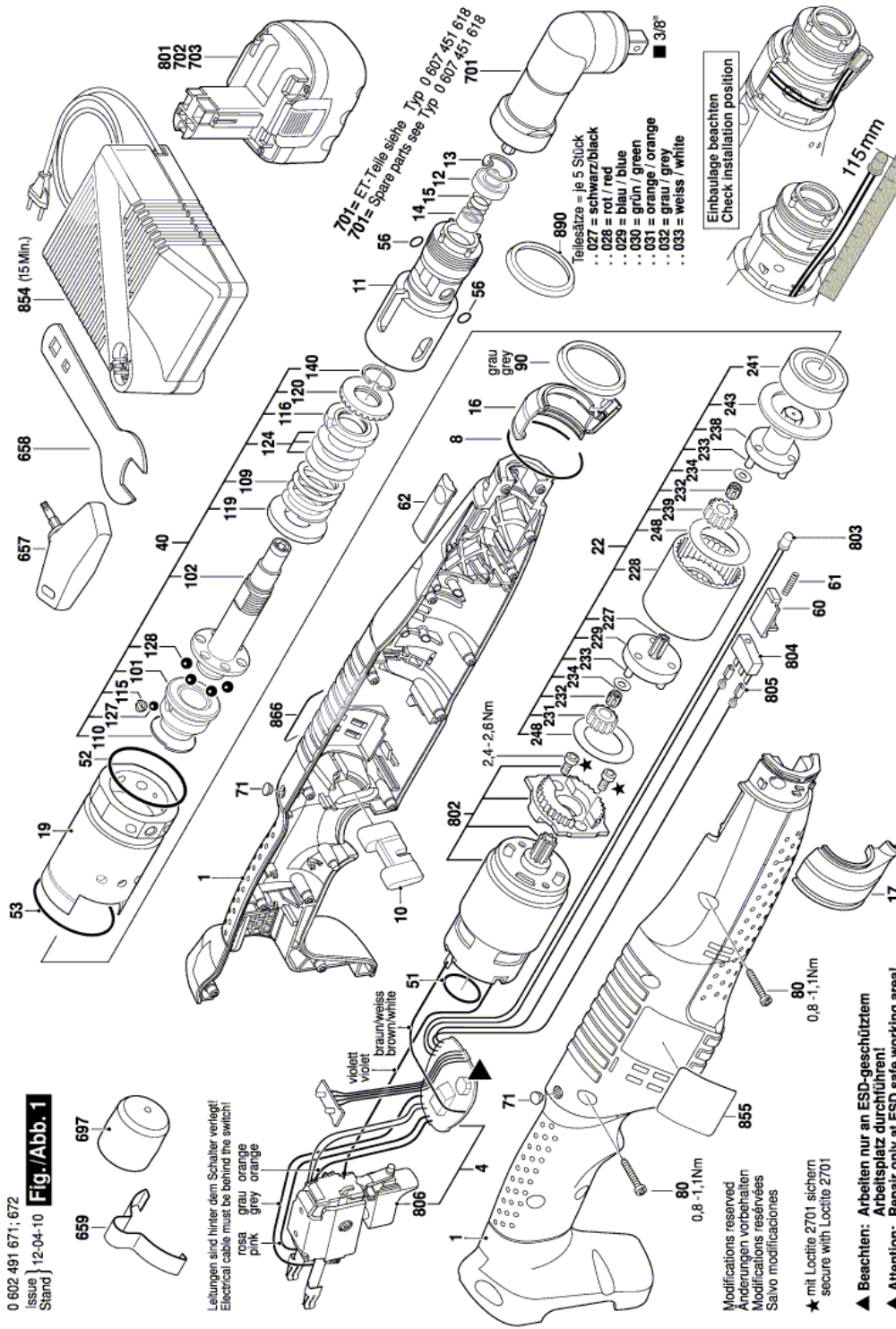
Item	Part Number	Description	Illustration	Price	Quantity	Price Group
1	3 605 105 029	Housing Section		1	-,-	1
4	3 607 200 096	Electronic Assembly		1	-,-	1
8	3 600 224 064	Retaining ring		1	-,-	1
10	3 601 099 003	Switch Slide		1	-,-	1
11	3 605 700 170	Angle Flange		1	-,-	1
12	1 280 905 004	Deep-Groove Ball Bearing		1	-,-	1
13	2 916 660 003	Spring retaining ring		1	-,-	1
14	3 600 423 004	Sleeve		1	-,-	1
15	3 604 611 037	Compression Spring		1	-,-	1
16	3 605 105 023	Led-Holder		1	-,-	1
17	3 605 105 024	Led-Holder		1	-,-	1
19	3 605 806 201	Gear Housing		1	-,-	1
22	3 607 030 426	Planetary Gear Train		1	-,-	1
40	3 607 031 578	Assembly kit		1	-,-	1
51	1 900 210 114	O-Ring		1	-,-	1
52	3 600 210 128	O-Ring		1	-,-	1
53	3 600 210 129	O-Ring		1	-,-	1
56	3 600 210 130	O-Ring		1	-,-	2
60	3 601 923 022	Switching Element		1	-,-	1
61	3 604 611 022	Compression Spring		1	-,-	1
62	3 601 923 023	Slide		1	-,-	1
71	3 604 460 132	Light Conductor		1	-,-	2
80	2 603 490 018	Torx Oval-Head Screw		1	-,-	14
90	3 600 106 020	Ring		1	-,-	1
101	3 606 445 044	Clutch Element		1	-,-	1
102	3 603 124 025	Output Shaft		1	-,-	1
109	3 604 619 015	Compression Spring		1	-,-	1
110	3 604 601 001	Retaining ring		1	-,-	1
115	3 600 001 000	Sealing plate		1	-,-	1
116	3 600 134 015	Setting Ring		1	-,-	1
119	3 600 190 030	Support Disc		1	-,-	1
120	3 603 344 052	Catch Disk		1	-,-	1
124	3 600 101 002	Support Disc		1	-,-	3

Item	Part Number	Description	Illustration	Price	Quantity	Price Group
127	1 903 230 009	Ball	1	-,-	9	-
128	1 903 230 011	Ball	1	-,-	6	-
140	2 916 659 006	Spring retaining ring	1	-,-	1	-
227	3 606 300 138	Pinion	1	-,-	1	-
228	3 606 334 054	Ring Gear	1	-,-	1	-
229	3 606 337 210	Carrier	1	-,-	1	-
231	3 606 316 075	Cylindrical Gear	1	-,-	3	-
232	3 600 913 006	Needle-Roller Cage	1	-,-	6	-
233	3 603 201 047	Needle Roller	1	-,-	6	-
234	2 600 100 586	Shim	1	-,-	6	-
238	3 606 337 211	Planetary-Gear Carrier	1	-,-	1	-
239	3 606 316 062	Cylindrical Gear	1	-,-	3	-
241	3 600 905 045	Deep-Groove Ball Bearing	1	-,-	1	-
243	3 600 102 021	Stop Disc	1	-,-	1	-
248	3 600 101 040	Stop Disc	1	-,-	2	-
657	3 607 950 020	Screwdriver	1	-,-	1	-
658	3 601 376 007	Single-Head Eng. Wrench	1	-,-	1	-
659	3 601 923 017	Suspension Loop	1	-,-	1	-
697	3 608 872 557	Protective Cap	1	-,-	1	-
701	3 607 020 041	Angle Screwdriver Head	1	-,-	1	-
702	2 607 335 881	Slide-In Accu Package	1	-,-	1	-
801	2 607 335 655	Slide-In Accu Package	1	-,-	1	-
802	3 607 031 608	Assembly kit	1	-,-	1	-
803	3 607 600 406	Light-Emitting-Diode	1	-,-	1	-
804	3 609 202 762	Microswitch	1	-,-	1	-
805	3 609 202 766	Plug Set	1	-,-	1	-
806	3 607 200 083	Switch	1	-,-	1	-
854	2 607 225 027	Fast Charger	1	-,-	1	-
854	2 607 225 029	Fast Charger	1	-,-	1	-
854	2 607 225 031	Fast Charger	1	-,-	1	-
854	2 607 225 033	Fast Charger	1	-,-	1	-
854	2 607 225 035	Fast Charger	1	-,-	1	-
854	2 607 225 037	Fast Charger	1	-,-	1	-
854	2 607 225 039	Fast Charger	1	-,-	1	-
855	3 601 119 367	Nameplate	1	-,-	1	-
866	3 601 119 368	Manufacturer's nameplate	1	-,-	1	-
890	3 600 106 027	Parts Set	1	-,-	1	-
890	3 600 106 028	Parts Set	1	-,-	1	-
890	3 600 106 029	Parts Set	1	-,-	1	-
890	3 600 106 030	Parts Set	1	-,-	1	-
890	3 600 106 031	Parts Set	1	-,-	1	-
890	3 600 106 032	Parts Set	1	-,-	1	-
890	3 600 106 033	Parts Set	1	-,-	1	-

Product information Cordless Screw Driver - 0 602 491 671 - BT ANGEL EXACT 30

Product No	0 602 491 671
Description	251.178; Cordless Screw Driver
DIN-Text	
ID_Text_Ext	0
Trading_Description	BT ANGEL EXACT 30
Voltage_1	14,4 V
ID_Country_Product	---

Illustration - Type E



Information subject to change without further notice.