

Pulse Wrench - 0 607 661 505 - 250 WATT-SERIE

www.powertools-aftersaleservice.com



BOSCH

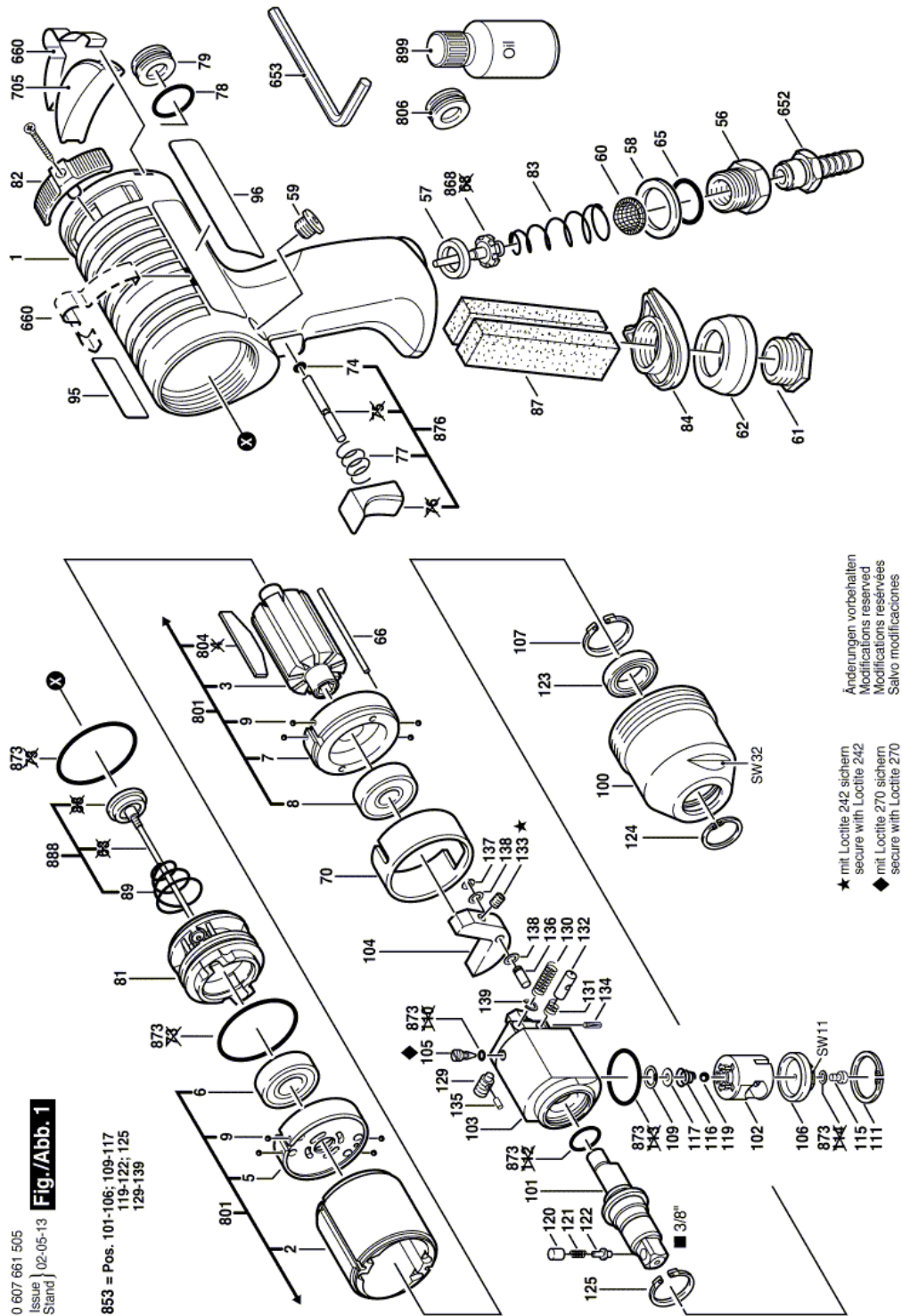
Item	Part Number	Description	Illustration	Price	Quantity	Price Group
1	3 605 108 171	Motor Housing		1	-,-	1 -
2	3 604 090 057	Stator		1	-,-	1 -
3	3 604 220 097	Rotor		1	-,-	1 -
5	3 605 700 140	Bearing Flange		1	-,-	1 -
6	1 900 905 127	Deep-Groove Ball Bearing		1	-,-	1 -
7	3 605 700 141	Bearing Flange		1	-,-	1 -
8	1 900 905 121	Deep-Groove Ball Bearing		1	-,-	1 -
9	1 903 230 026	Ball		1	-,-	8 -
56	3 603 462 007	Fitting		1	-,-	1 -
57	3 600 206 005	Sealing disk		1	-,-	1 -
58	3 600 105 001	Shim Ring		1	-,-	1 -
59	3 603 414 020	Screw Plug		1	-,-	1 -
60	3 600 002 006	Strainer		1	-,-	1 -
61	3 603 462 000	Silencer		1	-,-	1 -
62	3 600 521 002	Screening Ring		1	-,-	1 -
65	1 900 210 112	O-Ring		1	-,-	1 -
66	3 603 201 055	Straight Pin		1	-,-	1 -
70	3 600 206 013	Intermediate Ring		1	-,-	1 -
74	3 600 210 105	O-Ring		1	-,-	1 -
77	3 604 610 016	Compression Spring		1	-,-	1 -
78	3 600 210 104	O-Ring		1	-,-	1 -
79	3 600 313 011	Screw Plug		1	-,-	1 -
81	3 608 750 041	Housing		1	-,-	1 -
82	3 602 000 001	Changeover Lever		1	-,-	1 -
83	3 604 643 016	Compression Spring		1	-,-	1 -
84	3 605 500 147	Housing Cover		1	-,-	1 -
87	3 601 010 010	Silencer		1	-,-	2 -
89	3 604 610 043	Compression Spring		1	-,-	1 -
95	3 601 100 001	Nameplate		1	-,-	1 -
96	3 601 110 393	Manufacturer's nameplate		1	-,-	1 -
99	3 601 119 236	Reference Plate	N/A	-,-	1	-
100	3 600 390 030	Housing		1	-,-	1 -
101	3 603 523 034	Camshaft		1	-,-	1 -

Item	Part Number	Description	Illustration	Price	Quantity	Price Group
102	3 608 750 043	Piston	1	-,-	1	-
103	3 605 110 078	Housing	1	-,-	1	-
104	3 602 329 031	Flyweight	1	-,-	1	-
105	3 603 490 016	Throttle Screw	1	-,-	1	-
106	3 605 500 148	Sealing cap	1	-,-	1	-
107	3 600 119 028	Spring retaining ring	1	-,-	1	-
109	2 916 660 041	Spring retaining ring	1	-,-	1	-
111	2 916 660 007	Spring retaining ring	1	-,-	1	-
115	3 603 400 004	Screw	1	-,-	1	-
116	3 604 610 044	Compression Spring	1	-,-	1	-
117	3 600 100 015	Stop Disc	1	-,-	1	-
119	1 903 230 009	Ball	1	-,-	1	-
120	1 600 506 010	Guide Sleeve	1	-,-	1	-
121	1 604 611 004	Compression Spring	1	-,-	1	-
122	1 603 124 060	Pressure Spindle	1	-,-	1	-
123	3 600 905 104	Deep-Groove Ball Bearing	1	-,-	1	-
124	3 600 224 038	Spring retaining ring	1	-,-	1	-
125	2 600 119 000	Spring retaining ring	1	-,-	1	-
129	3 603 414 021	Adjusting Screw	1	-,-	1	-
130	3 604 610 047	Compression Spring	1	-,-	1	-
131	3 604 610 007	Compression Spring	1	-,-	1	-
132	3 608 750 044	Piston	1	-,-	1	-
133	2 603 400 011	Set screw	1	-,-	1	-
134	2 917 530 036	Straight Pin	1	-,-	1	-
135	3 603 100 031	Straight Pin	1	-,-	1	-
136	3 603 100 032	Retaining Pin	1	-,-	1	-
137	3 600 224 035	Locking Washer	1	-,-	1	-
138	2 600 100 510	Shim	1	-,-	2	-
139	3 600 119 029	Retaining ring	1	-,-	1	-
652	2 603 386 002	Hose fitting	1	-,-	1	-
653	1 907 950 004	Offset Screwdriver	1	-,-	1	-
660	3 601 923 017	Suspension Loop	1	-,-	1	-
705	3 603 231 006	Support Element	1	-,-	1	-
801	3 607 030 329	Assembly Of Service Parts	1	-,-	1	-
804	3 607 030 331	Assembly Of Service Parts	1	-,-	1	-
806	3 609 202 745	Screw Plug	1	-,-	1	-
853	3 607 030 330	Assembly Of Service Parts	1	-,-	1	-
868	3 608 750 042	Valve Cone	1	-,-	1	-
873	3 607 030 360	Assembly Of Service Parts	1	-,-	1	-
876	3 607 030 332	Assembly Of Service Parts	1	-,-	1	-
888	3 607 030 333	Assembly Of Service Parts	1	-,-	1	-
899	3 605 430 008	Oil	1	-,-	1	-

Product information Pulse Wrench - 0 607 661 505 - 250 WATT-SERIE

Product No	0 607 661 505
Description	229.164; Pulse Wrench
DIN-Text	
ID_Text_Ext	0
Trading_Description	250 WATT-SERIE
Voltage_1	0 V
ID_Country_Product	---

Illustration - Type E



Information subject to change without further notice.