

## Pneumatic Plastics-Cutter - 0 607 595 100 - 7595-1...

www.powertools-aftersaleservice.com



**BOSCH**

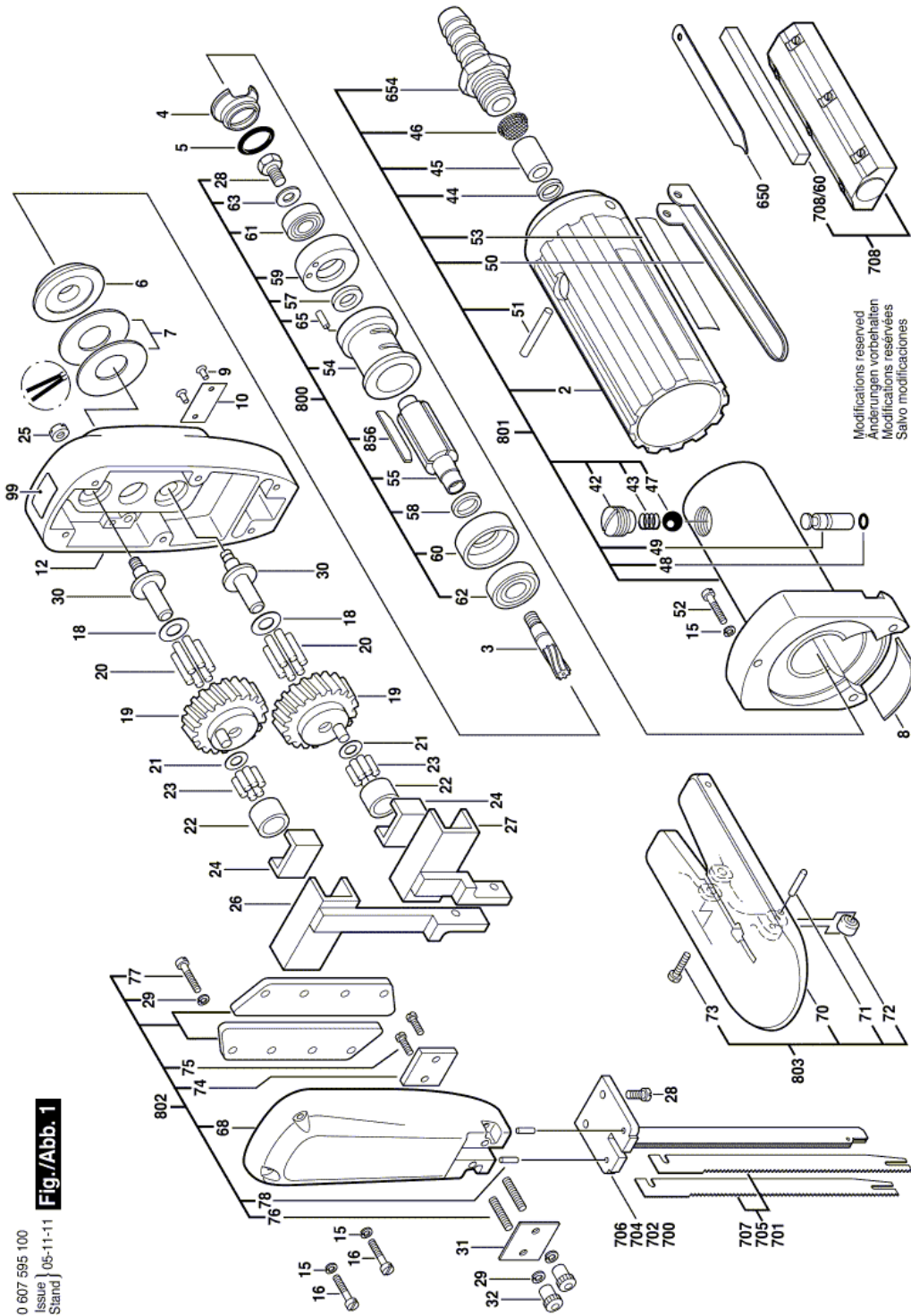
Item	Part Number	Description	Illustration	Price	Quantity	Price Group
2	2 600 723 012	Housing		1	-,-	1 -
3	2 606 302 022	Pinion		1	-,-	1 -
4	2 600 521 012	Thrust Member		1	-,-	1 -
5	2 600 210 004	O-Ring		1	-,-	1 -
6	2 600 120 045	Thrust Member		1	-,-	1 -
7	2 600 550 006	Disc Spring		1	-,-	2 -
8	2 601 010 051	Silencer		1	-,-	1 -
9	3 603 133 000	Grooved Nail		1	-,-	2 -
10	3 601 100 001	Nameplate		1	-,-	1 -
12	2 605 806 323	Gear Housing		1	-,-	1 -
15	2 916 690 003	Spring Lock Washer		1	-,-	7 -
16	2 910 021 128	Socket head cap screw		1	-,-	4 -
18	2 600 100 612	Shim		1	-,-	2 -
19	2 606 319 007	Eccentric Cog Wheel		1	-,-	2 -
20	3 600 910 000	Needle-Roller Assembly		1	-,-	2 -
21	2 600 100 586	Shim		1	-,-	1 -
21	2 600 100 587	Shim		1	-,-	1 -
21	2 600 100 588	Shim		1	-,-	1 -
22	2 600 300 005	Roller		1	-,-	2 -
23	2 603 201 037	Needle Roller		1	-,-	22 -
24	2 601 320 018	Retaining Bracket		1	-,-	2 -
25	2 603 341 007	Round Nut		1	-,-	2 -
26	2 602 305 016	Lifting Rod		1	-,-	1 -
27	2 602 305 014	Lifting Rod		1	-,-	1 -
28	2 910 021 118	Socket head cap screw		1	-,-	3 -
29	2 916 690 002	Spring Lock Washer		1	-,-	2 -
30	2 603 520 010	Bearing bolt		1	-,-	2 -
31	2 601 034 010	Pressure Plate		1	-,-	1 -
32	2 603 345 000	Knurled Nut		1	-,-	2 -
42	2 603 463 025	Screw Plug		1	-,-	1 -
43	2 604 611 019	Compression Spring		1	-,-	1 -
44	2 600 206 004	Seal ring		1	-,-	1 -
45	2 600 309 000	Mounting Device		1	-,-	1 -

Item	Part Number	Description	Illustration	Price	Quantity	Price Group
46	2 600 002 006	Strainer	1	-,-	1	-
47	1 903 230 024	Ball	1	-,-	1	-
48	2 600 210 007	O-Ring	1	-,-	1	-
49	2 603 105 019	Locking Bolt	1	-,-	1	-
50	2 601 902 001	Control Lever	1	-,-	1	-
51	2 917 500 083	Straight Pin	1	-,-	1	-
52	2 910 021 130	Socket head cap screw	1	-,-	3	-
53	1 601 110 481	Manufacturer's nameplate	1	-,-	2	-
54	2 605 110 112	Stator	1	-,-	1	-
55	2 604 090 017	Rotor	1	-,-	1	-
57	2 600 103 001	Spacer Ring	1	-,-	1	-
58	2 600 202 014	Spacer Ring	1	-,-	1	-
59	2 600 220 012	Thrust ring	1	-,-	1	-
60	2 600 220 013	Thrust ring	1	-,-	1	-
61	2 600 905 009	Deep-Groove Ball Bearing	1	-,-	1	-
62	3 600 905 148	Deep-Groove Ball Bearing	1	-,-	1	-
63	2 916 011 010	Plain Washer	1	-,-	1	-
65	2 917 570 032	Straight Pin	1	-,-	1	-
68	2 605 500 056	Gear Cover	1	-,-	1	-
70	2 608 000 114	Base Plate	1	-,-	1	-
71	2 600 300 011	Roller	1	-,-	4	-
72	1 903 201 023	Needle Roller	1	-,-	4	-
73	2 910 021 132	Socket head cap screw	1	-,-	1	-
74	2 602 307 001	Support Plate	1	-,-	1	-
75	2 910 011 084	Socket head cap screw	1	-,-	2	-
76	2 603 502 015	Stud	1	-,-	2	-
77	2 910 011 082	Socket head cap screw	1	-,-	8	-
78	2 917 500 093	Straight Pin	1	-,-	2	-
99	3 601 119 236	Reference Plate	1	-,-	1	-
650	2 601 030 010	Scraper	1	-,-	1	-
654	2 603 386 001	Hose fitting	1	-,-	1	-
700	2 608 135 023	Guide	1	-,-	1	-
701	2 607 018 013	Saw Blade Set	1	-,-	1	-
702	2 608 135 020	Guide	1	-,-	1	-
704	2 608 135 021	Guide	1	-,-	1	-
705	2 607 018 011	Saw Blade Set	1	-,-	1	-
706	2 608 135 022	Guide	1	-,-	1	-
707	2 607 018 012	Saw Blade Set	1	-,-	1	-
708	2 608 133 000	Sharpening Set	1	-,-	1	-
708/60	3 607 950 012	Whetstone	1	-,-	1	-
800	2 607 219 900	Pneumatic Motor	1	-,-	1	-
801	2 605 110 901	Valve Housing	1	-,-	1	-
802	2 605 500 905	Gear Cover	1	-,-	1	-
803	2 608 000 908	Base Plate	1	-,-	1	-
856	3 607 030 415	Rotor Lamella	1	-,-	1	-

## Product information Pneumatic Plastics-Cutter - 0 607 595 100 - 7595-100

Product No	0 607 595 100
Description	144.665; Pneumatic Plastics-Cutter
DIN-Text	
ID_Text_Ext	0
Trading_Description	7595-100
Voltage_1	0 V
ID_Country_Product	---

Illustration - Type E



Information subject to change without further notice.