

## Cordless Screw Driver - 0 602 492 607 - ANGLE EXAC...

www.powertools-aftersaleservice.com



**BOSCH**

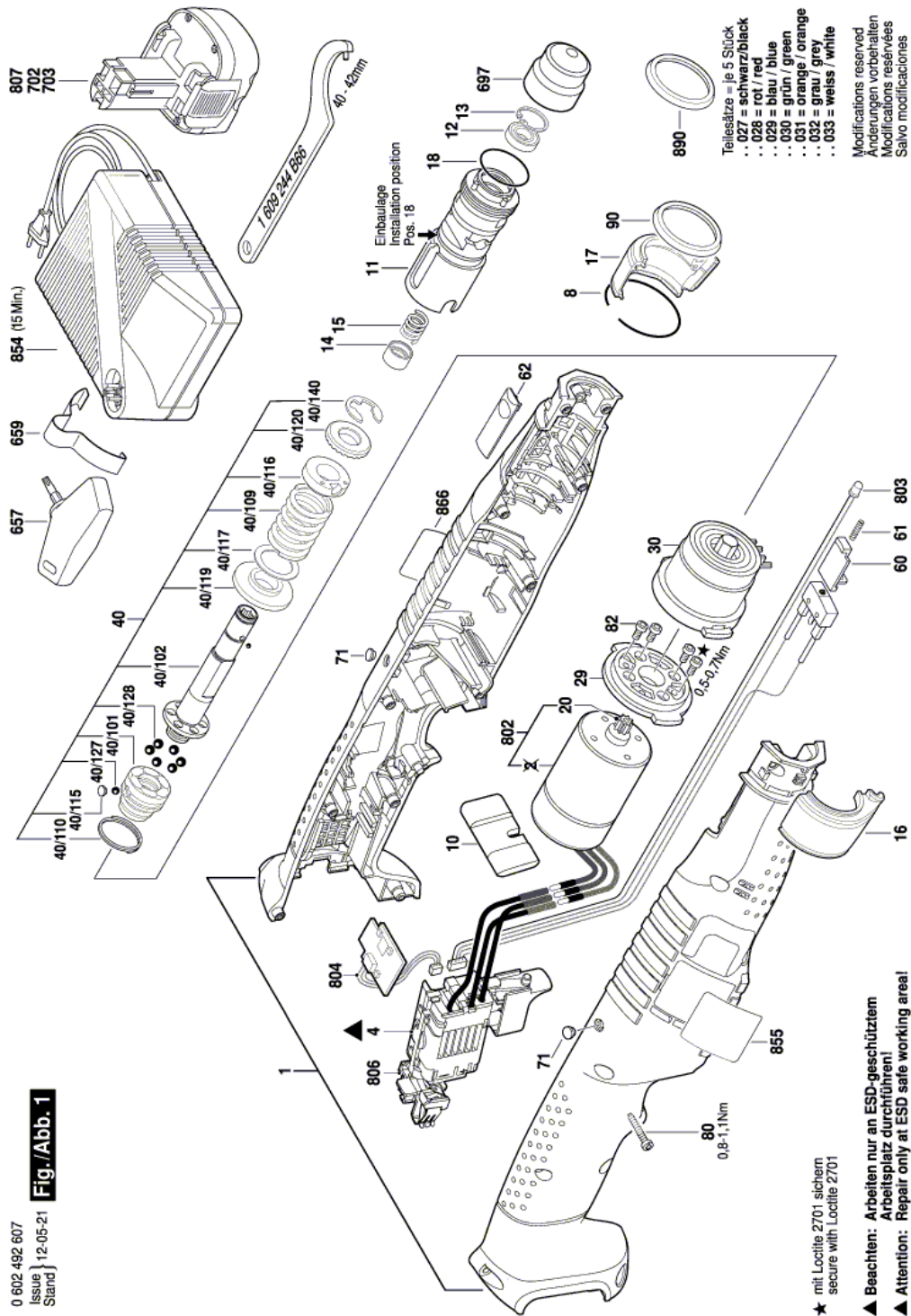
Item	Part Number	Description	Illustration	Price	Quantity	Price Group
	1 3 609 202 A45	Housing Section		1	-,-	1 -
	4 3 607 200 120	Electronic Assembly		1	-,-	1 -
	8 1 614 601 016	Retaining ring		1	-,-	1 -
	10 3 601 099 003	Switch Slide		1	-,-	1 -
	11 3 605 700 165	Angle Flange		1	-,-	1 -
	12 1 280 905 004	Deep-Groove Ball Bearing		1	-,-	1 -
	13 2 916 660 003	Spring retaining ring		1	-,-	1 -
	14 3 600 423 004	Sleeve		1	-,-	1 -
	15 3 604 611 037	Compression Spring		1	-,-	1 -
	16 3 605 105 019	Led-Holder		1	-,-	1 -
	17 3 605 105 020	Led-Holder		1	-,-	1 -
	18 3 600 210 012	O-Ring		1	-,-	1 -
	20 2 606 316 164	Pinion		1	-,-	1 -
	29 2 605 719 011	Intermediate Flange		1	-,-	1 -
	30 3 607 030 443	Planetary Gear Train		1	-,-	1 -
	40 3 607 031 567	Assembly kit		1	-,-	1 -
40/101	3 606 445 043	Clutch Element		1	-,-	1 -
40/102	3 603 124 034	Drive Shaft		1	-,-	1 -
40/109	3 604 619 020	Compression Spring		1	-,-	1 -
40/110	3 600 224 053	Retaining ring		1	-,-	1 -
40/115	3 601 023 011	Sealing plate		1	-,-	1 -
40/116	3 600 134 016	Setting Ring		1	-,-	1 -
40/117	1 600 101 023	Plain Washer		1	-,-	1 -
40/119	3 600 190 027	Support Disc		1	-,-	1 -
40/120	3 603 344 046	Catch Disk		1	-,-	1 -
40/122	3 600 101 052	Shim Ring		N/A	-,-	1 -
40/127	1 903 230 006	Ball		1	-,-	10 -
40/128	1 903 230 008	Ball		1	-,-	6 -
40/140	2 916 080 012	Locking Washer		1	-,-	1 -
60	3 601 923 022	Switching Element		1	-,-	1 -
61	3 604 611 022	Compression Spring		1	-,-	1 -
62	3 601 923 029	Slide		1	-,-	1 -
71	3 604 460 132	Light Conductor		1	-,-	2 -

Item	Part Number	Description	Illustration	Price	Quantity	Price Group
80	2 603 490 018	Torx Oval-Head Screw	1	-,-	11	-
82	2 603 414 048	Torx SH cap screw	1	-,-	4	-
90	3 600 106 026	Ring	1	-,-	1	-
657	3 607 950 020	Screwdriver	1	-,-	1	-
659	3 601 923 024	Suspension Loop	1	-,-	1	-
697	3 608 872 557	Protective Cap	1	-,-	1	-
702	2 607 335 659	Slide-In Accu Package	1	-,-	1	-
703	2 607 335 877	Slide-In Accu Package	1	-,-	1	-
802	3 607 031 654	DC motor	1	-,-	1	-
803	3 609 202 B02	Wiring Harness	1	-,-	1	-
804	3 609 202 B03	Wiring Harness	1	-,-	1	-
806	1 609 280 416	Contact retainer	1	-,-	1	-
807	2 607 335 659	Slide-In Accu Package	1	-,-	1	-
854	2 607 225 027	Fast Charger	1	-,-	1	-
854	2 607 225 029	Fast Charger	1	-,-	1	-
854	2 607 225 031	Fast Charger	1	-,-	1	-
854	2 607 225 033	Fast Charger	1	-,-	1	-
854	2 607 225 035	Fast Charger	1	-,-	1	-
854	2 607 225 037	Fast Charger	1	-,-	1	-
854	2 607 225 039	Fast Charger	1	-,-	1	-
855	3 601 119 473	Nameplate	1	-,-	1	-
866	3 601 110 523	Manufacturer's nameplate	1	-,-	1	-
890	3 600 106 027	Parts Set	1	-,-	1	-
890	3 600 106 028	Parts Set	1	-,-	1	-
890	3 600 106 029	Parts Set	1	-,-	1	-
890	3 600 106 030	Parts Set	1	-,-	1	-
890	3 600 106 031	Parts Set	1	-,-	1	-
890	3 600 106 032	Parts Set	1	-,-	1	-
890	3 600 106 033	Parts Set	1	-,-	1	-

## Product information Cordless Screw Driver - 0 602 492 607 - ANGLE EXACT 14-420

Product No	0 602 492 607
Description	251.178; Cordless Screw Driver
DIN-Text	
ID_Text_Ext	0
Trading_Description	ANGLE EXACT 14-420
Voltage_1	9,6 V
ID_Country_Product	---

Illustration - Type E



Information subject to change without further notice.