

## Cordless Screw Driver - 0 602 492 431 - EXACT 1106

www.powertools-aftersaleservice.com



**BOSCH**

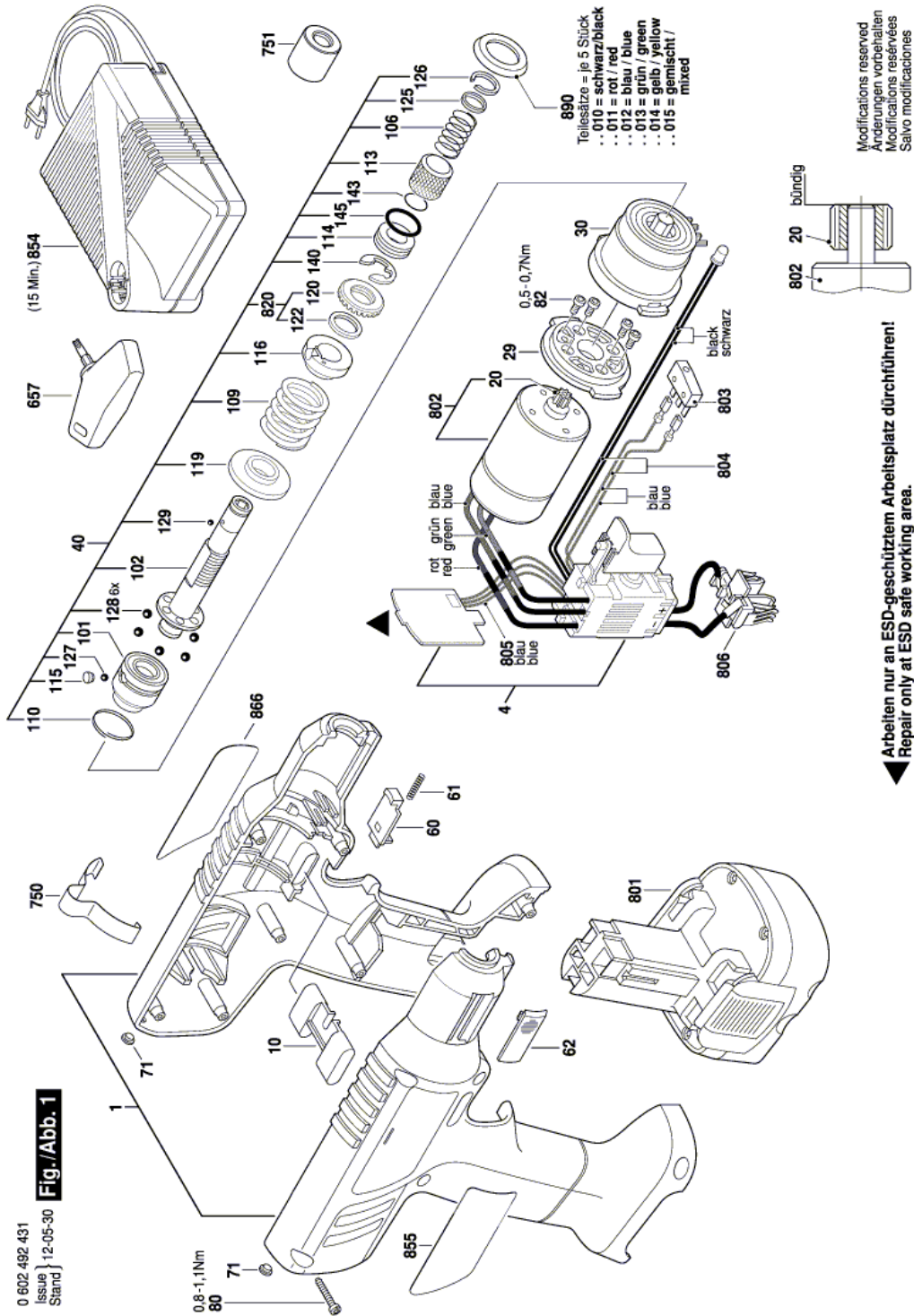
| Item | Part Number   | Description          | Illustration | Price | Quantity | Price Group |
|------|---------------|----------------------|--------------|-------|----------|-------------|
| 1    | 3 605 105 035 | Housing Section      |              | -,-   | 1        | -           |
| 4    | 3 607 200 113 | Electronic Assembly  |              | -,-   | 1        | -           |
| 10   | 3 601 099 003 | Switch Slide         |              | -,-   | 1        | -           |
| 20   | 3 606 309 060 | Pinion               |              | -,-   | 1        | -           |
| 29   | 2 605 719 011 | Intermediate Flange  |              | -,-   | 1        | -           |
| 30   | 3 607 030 469 | Planetary Gear Train |              | -,-   | 1        | -           |
| 40   | 3 607 031 534 | Assembly kit         |              | -,-   | 1        | -           |
| 60   | 3 601 923 022 | Switching Element    |              | -,-   | 1        | -           |
| 61   | 3 604 611 022 | Compression Spring   |              | -,-   | 1        | -           |
| 62   | 3 601 923 029 | Slide                |              | -,-   | 1        | -           |
| 71   | 3 604 460 132 | Light Conductor      |              | -,-   | 2        | -           |
| 80   | 2 603 490 018 | Torx Oval-Head Screw |              | -,-   | 8        | -           |
| 82   | 2 603 414 048 | Torx SH cap screw    |              | -,-   | 4        | -           |
| 101  | 3 606 445 043 | Clutch Element       |              | -,-   | 1        | -           |
| 102  | 3 603 124 023 | Output Shaft         |              | -,-   | 1        | -           |
| 106  | 3 604 610 011 | Compression Spring   |              | -,-   | 1        | -           |
| 109  | 3 604 619 003 | Compression Spring   |              | -,-   | 1        | -           |
| 110  | 3 600 224 053 | Retaining ring       |              | -,-   | 1        | -           |
| 113  | 3 600 499 003 | Clamp Bushing        |              | -,-   | 1        | -           |
| 114  | 3 600 921 001 | Plain bearing        |              | -,-   | 1        | -           |
| 115  | 3 601 023 011 | Sealing plate        |              | -,-   | 1        | -           |
| 116  | 3 600 134 014 | Setting Ring         |              | -,-   | 1        | -           |
| 119  | 3 600 190 027 | Support Disc         |              | -,-   | 1        | -           |
| 120  | 3 603 344 047 | Catch Disk           |              | -,-   | 1        | -           |
| 125  | 3 600 202 007 | Thrust ring          |              | -,-   | 1        | -           |
| 126  | 3 600 224 006 | Retaining ring       |              | -,-   | 1        | -           |
| 127  | 1 903 230 006 | Ball                 |              | -,-   | 10       | -           |
| 128  | 1 903 230 008 | Ball                 |              | -,-   | 6        | -           |
| 129  | 1 903 230 003 | Ball                 |              | -,-   | 1        | -           |
| 140  | 2 916 080 012 | Locking Washer       |              | -,-   | 1        | -           |
| 143  | 3 600 210 038 | O-Ring               |              | -,-   | 1        | -           |
| 145  | 3 600 210 116 | O-Ring               |              | -,-   | 1        | -           |
| 657  | 3 607 950 020 | Screwdriver          |              | -,-   | 1        | -           |

| Item | Part Number   | Description              | Illustration | Price | Quantity | Price Group |
|------|---------------|--------------------------|--------------|-------|----------|-------------|
| 750  | 3 601 923 024 | Suspension Loop          | 1            | -,-   | 1        | -           |
| 751  | 3 605 500 210 | Protective Cap           | 1            | -,-   | 1        | -           |
| 801  | 2 607 335 877 | Slide-In Accu Package    | 1            | -,-   | 1        | -           |
| 801  | 2 607 335 659 | Slide-In Accu Package    | 1            | -,-   | 1        | -           |
| 802  | 3 607 031 626 | DC motor                 | 1            | -,-   | 1        | -           |
| 803  | 3 609 202 762 | Microswitch              | 1            | -,-   | 1        | -           |
| 804  | 3 609 202 A42 | Wiring Harness           | 1            | -,-   | 1        | -           |
| 805  | 3 609 202 A43 | Wiring Harness           | 1            | -,-   | 1        | -           |
| 806  | 1 609 280 416 | Contact retainer         | 1            | -,-   | 1        | -           |
| 807  | 3 608 300 194 | Wafer                    | N/A          | -,-   | 1        | -           |
| 820  | 3 607 031 570 | Catch Disk               | 1            | -,-   | 1        | -           |
| 854  | 2 607 225 027 | Fast Charger             | 1            | -,-   | 1        | -           |
| 854  | 2 607 225 029 | Fast Charger             | 1            | -,-   | 1        | -           |
| 854  | 2 607 225 031 | Fast Charger             | 1            | -,-   | 1        | -           |
| 854  | 2 607 225 033 | Fast Charger             | 1            | -,-   | 1        | -           |
| 854  | 2 607 225 035 | Fast Charger             | 1            | -,-   | 1        | -           |
| 854  | 2 607 225 037 | Fast Charger             | 1            | -,-   | 1        | -           |
| 854  | 2 607 225 039 | Fast Charger             | 1            | -,-   | 1        | -           |
| 855  | 3 601 119 451 | Nameplate                | 1            | -,-   | 1        | -           |
| 866  | 3 601 119 452 | Manufacturer's nameplate | 1            | -,-   | 1        | -           |
| 890  | 3 600 106 010 | Parts Set                | 1            | -,-   | 1        | -           |
| 890  | 3 600 106 011 | Parts Set                | 1            | -,-   | 1        | -           |
| 890  | 3 600 106 012 | Parts Set                | 1            | -,-   | 1        | -           |
| 890  | 3 600 106 013 | Parts Set                | 1            | -,-   | 1        | -           |
| 890  | 3 600 106 014 | Parts Set                | 1            | -,-   | 1        | -           |
| 890  | 3 600 106 015 | Parts Set                | 1            | -,-   | 1        | -           |

## Product information Cordless Screw Driver - 0 602 492 431 - EXACT 1106

|                     |                                |
|---------------------|--------------------------------|
| Product No          | 0 602 492 431                  |
| Description         | 251.178; Cordless Screw Driver |
| DIN-Text            |                                |
| ID_Text_Ext         | 0                              |
| Trading_Description | EXACT 1106                     |
| Voltage_1           | 9,6 V                          |
| ID_Country_Product  | ---                            |

Illustration - Type E



Information subject to change without further notice.